

Ex9MD1 (16A~125A)

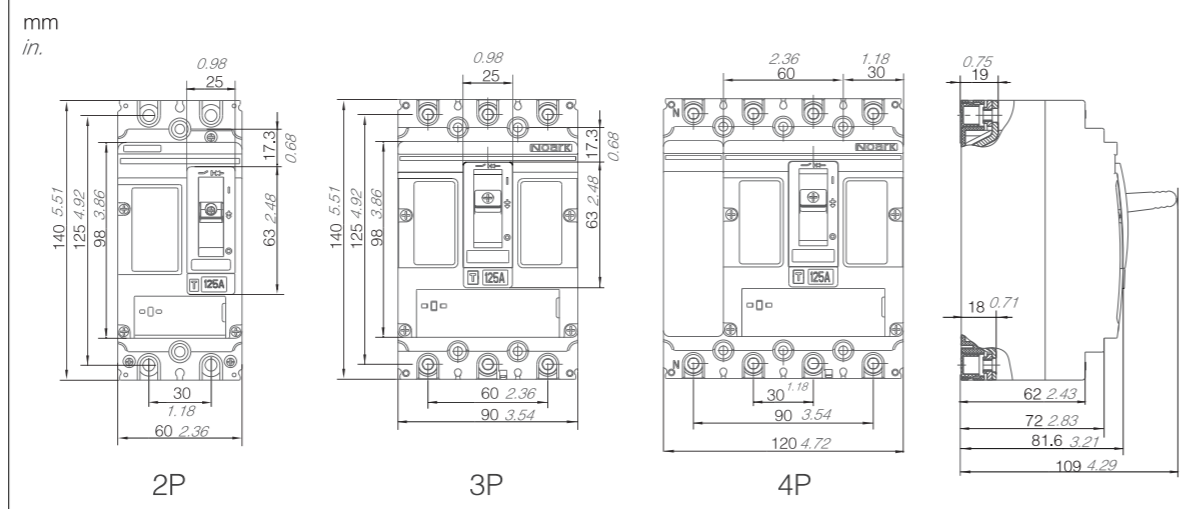
Ex9MD1 塑料外壳式断路器
Ex9MD1 Moulded Case Circuit Breaker



未按本说明书要求操作造成的不良后果，制造商将不承担责任。
The manufacturer assumes no responsibility for unfavourable consequence resulting from the non-application or incorrect application of the instructions provided herein.

NOARK 诺雅克

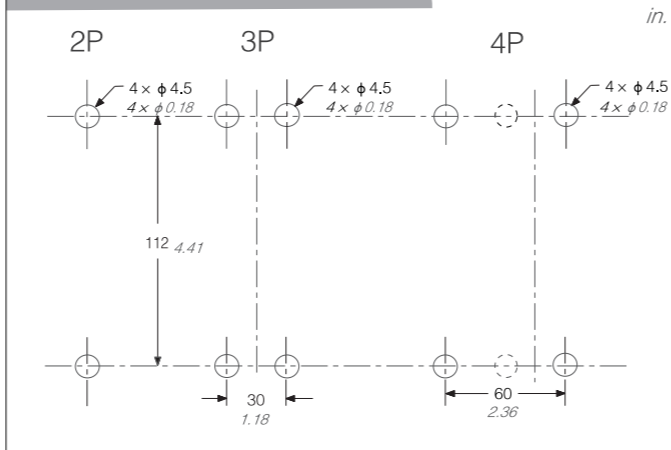
外形尺寸 Outline Dimension



铭牌 Nameplate

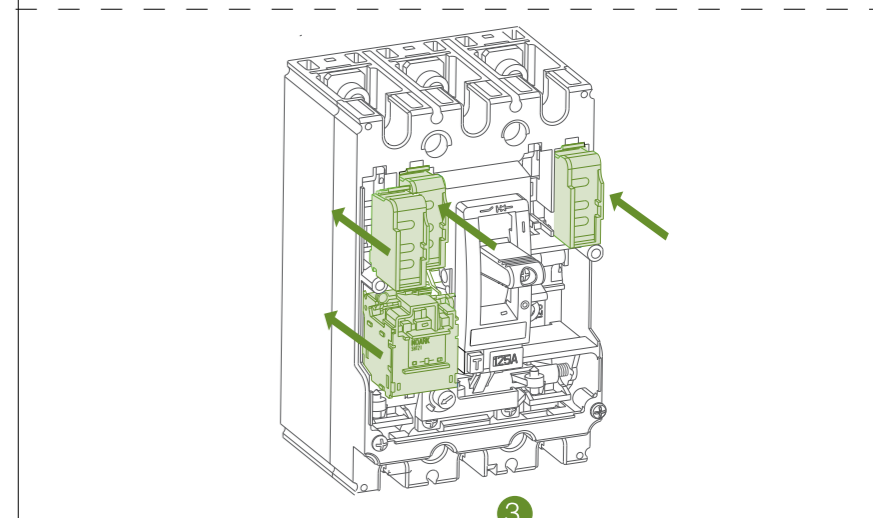
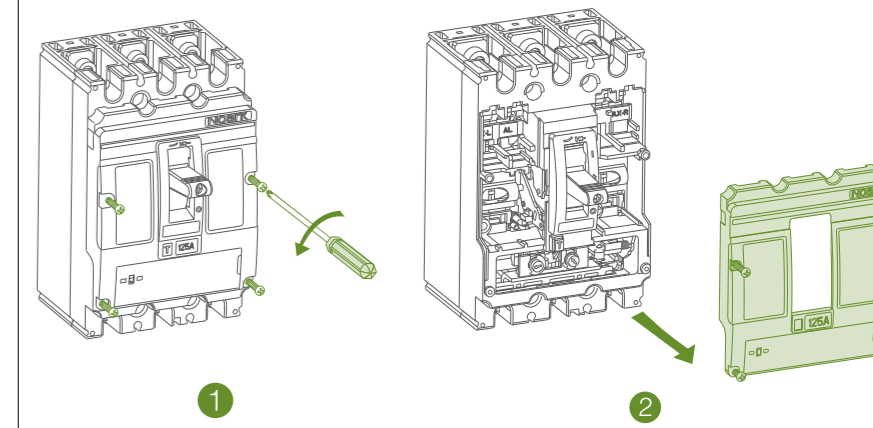
在此包装盒中除产品本体上所粘贴的铭牌外，还附加了手操、电操粘贴用的综合铭牌。客户若需使用手操或电操，其粘贴方法详见相关说明书。
Except the existing nameplate on the product, we also prepare comprehensive nameplates for your manual use. Customers can use it in according to the instruction as needed.

安装尺寸 Installation Dimension

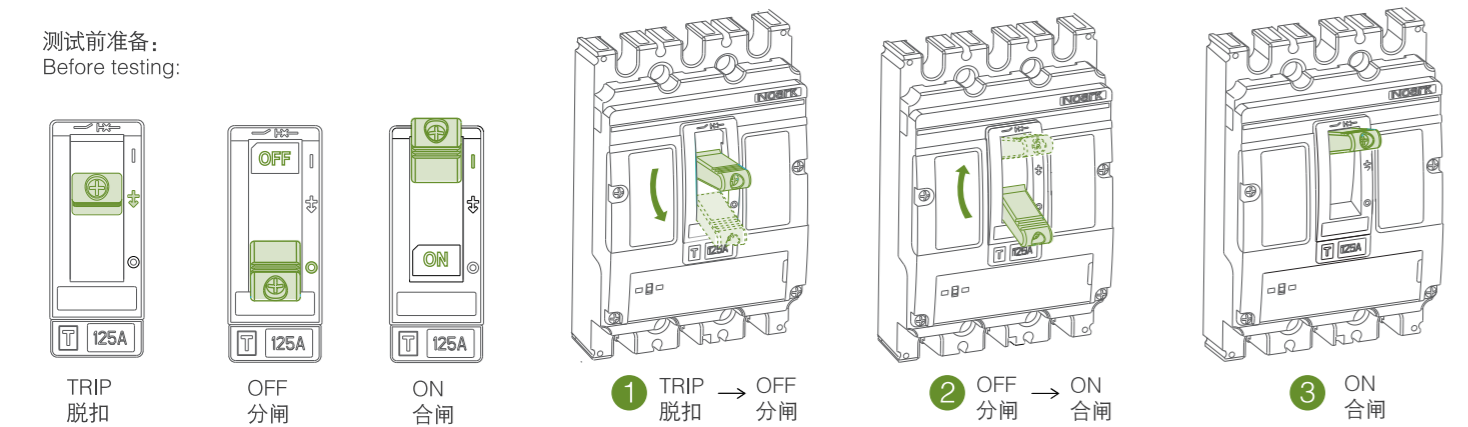


标配附件及必要工具 Standard Accessories & Necessary Tools

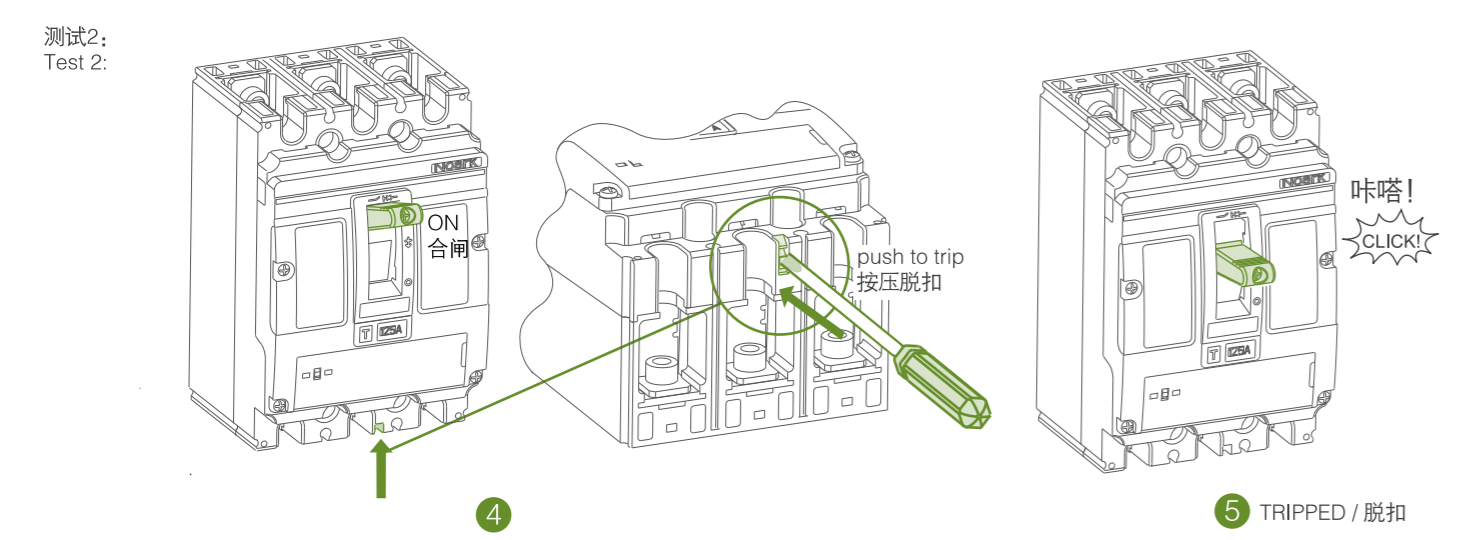
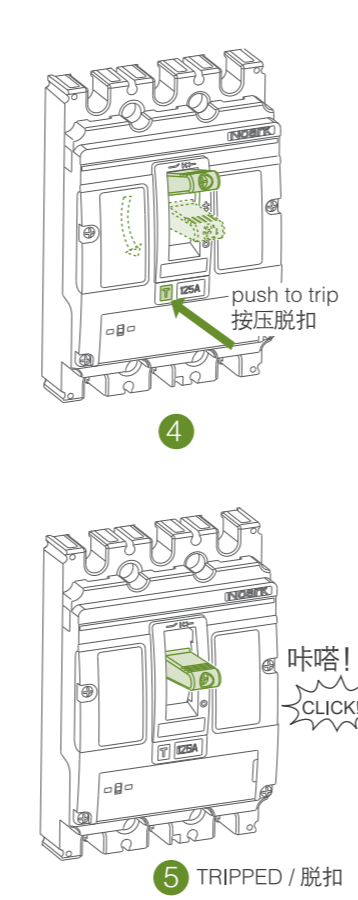
名称 Appellation	规格 Model	数量 Number		示意图 Figure			
		3P	4P	安装螺钉 Installation Bolt	弹垫 S-Washer	平垫 F-Washer	螺母 Nut
安装螺钉 Installation Bolt	M4 × 75	4	4				
弹垫 Spring Washer	4/6	4/6	4/8				
平垫 Flat Washer	4/6	4/6	4/8				
螺母 Nut	M4	4	4				
隔弧板 Phase Barrier		4	6				
短接排 Short-Link Busbar		2	2				
必要工具 Necessary Tools							
六角扳手 Hex key				螺丝刀 Screw-driver			
mm in.		mm in.					



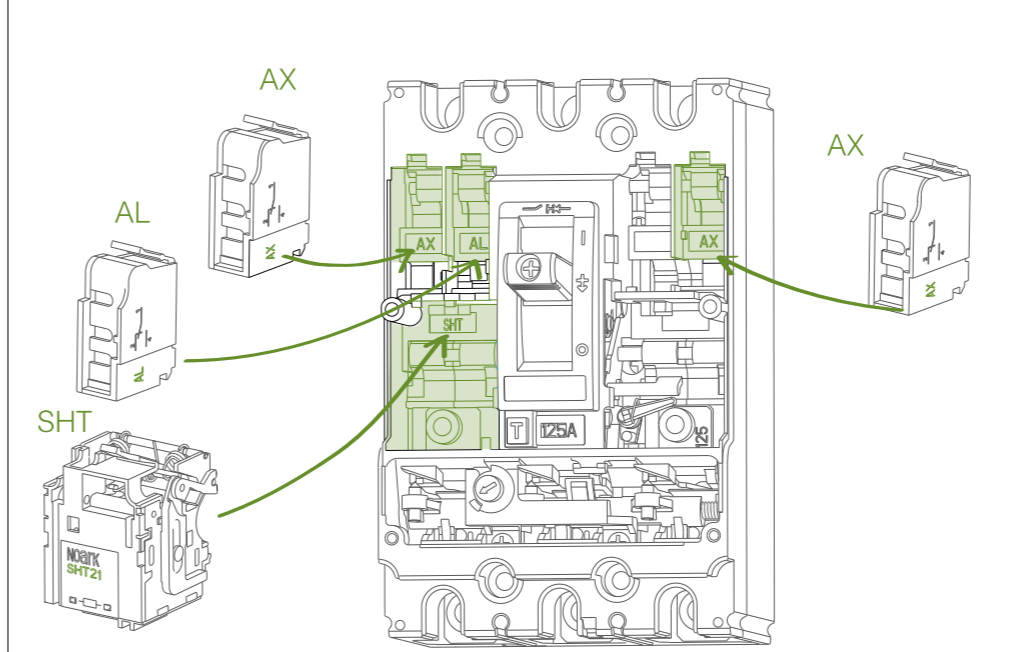
A 操作测试 Operating Test



测试1:
Test 1:

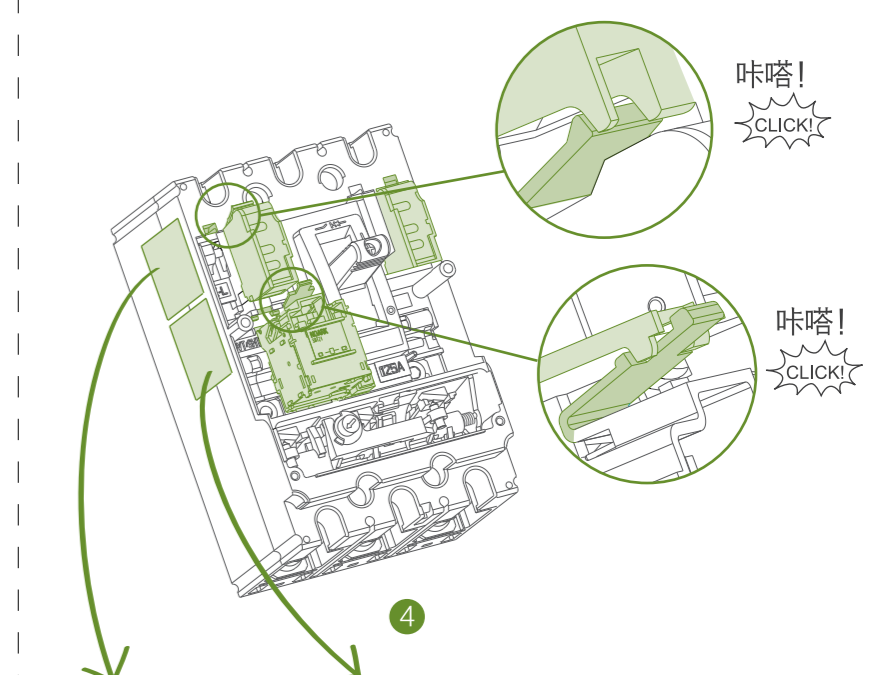


B 内部附件及安装 Internal Accessories & Installation



AX	辅助触头 Auxiliary Contact	合闸 ON	AX12 — AX11	AX14 — AX11
AL <th>报警触头 Alarm Contact</th> <th>分闸 OFF</th> <td>AX12 — AX11</td> <td>AX14 — AX11</td>	报警触头 Alarm Contact	分闸 OFF	AX12 — AX11	AX14 — AX11
SHT <th>分励脱扣器 Shunt Release</th> <th>分、合闸 OFF & ON</th> <td>AL92 — AL91</td> <td>AL94 — AL91</td>	分励脱扣器 Shunt Release	分、合闸 OFF & ON	AL92 — AL91	AL94 — AL91
		自由脱扣 TRIP	AL92 — AL91	AL94 — AL91

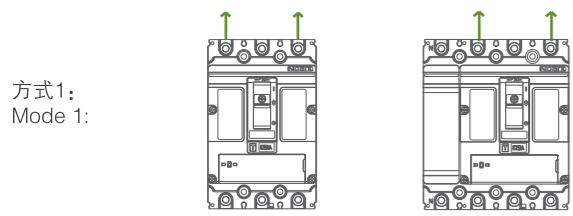
注：2P只能安装AX和AL



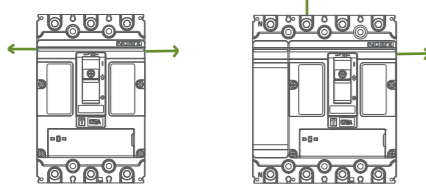
辅助(报警)触头接线图 AX(AL) Wiring Diagram		分励脱扣器接线图 SHT Wiring Diagram	
AX1 11 12 14	AX2 21 22 24	AX3 31 32 34	AX4 41 42 44
AL 91 92 94	SDE 81 82 84	AC 380V~415V	AC 220V~240V
		AC 110V	AC 48V
		DC 220V	DC 110V~120V
		DC 48V	DC 24V

C 内部附件走线 Internal Accessories Wiring

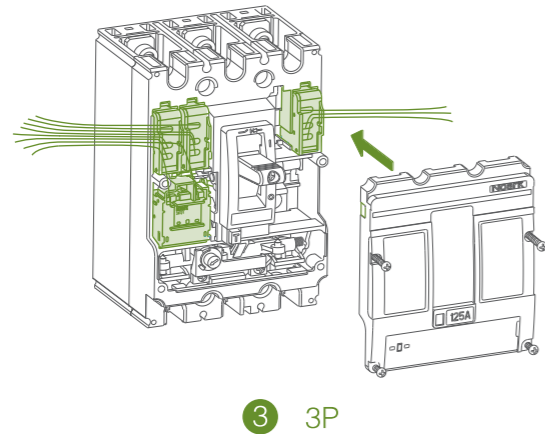
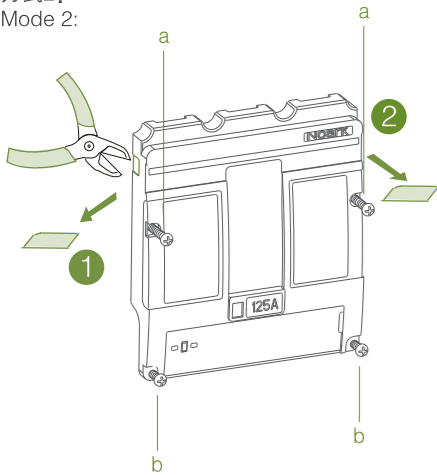
方式1: Mode 1:



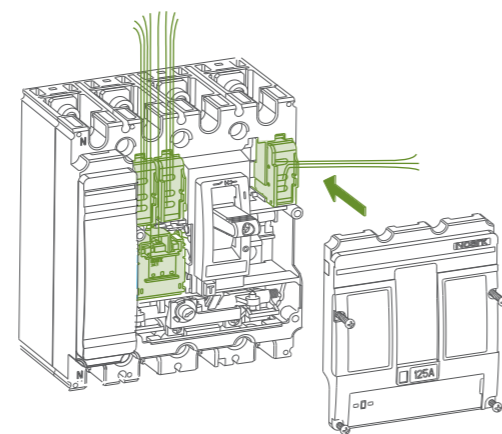
方式2: Mode 2:



方式2: Mode 2:

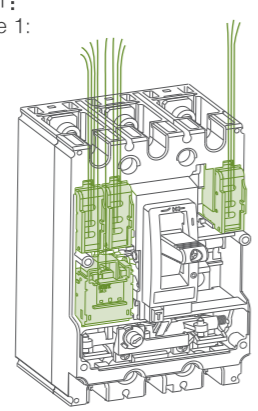


3P

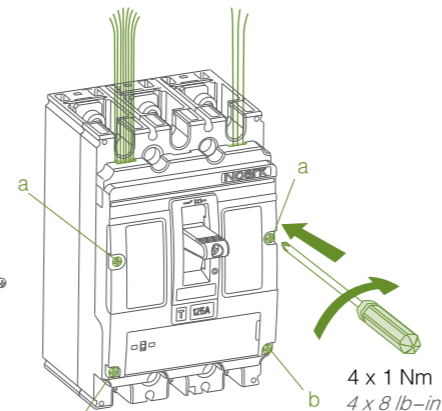
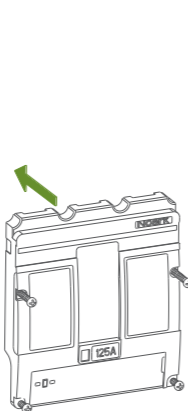


4P

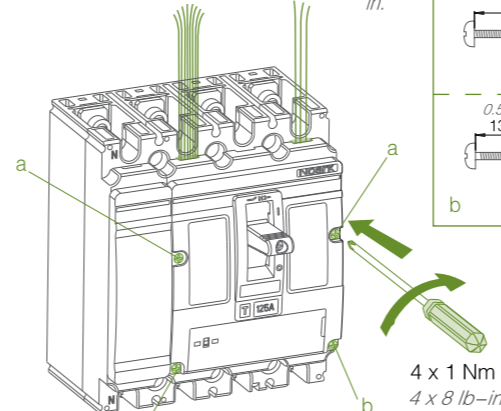
方式1: Mode 1:



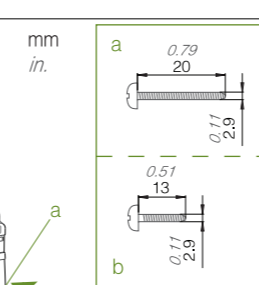
1



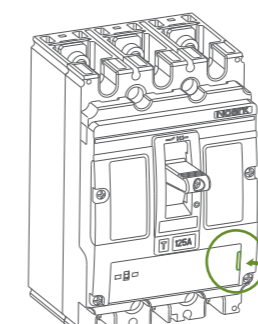
2 3P



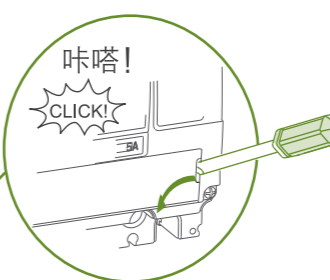
2 4P



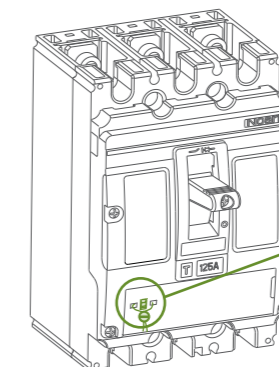
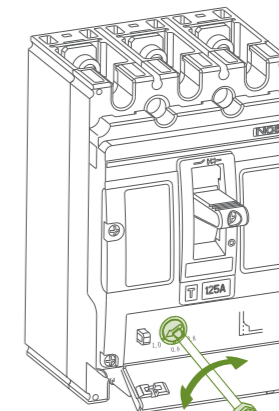
D 参数设置、铅封 Parameters Setting & Sealing



1



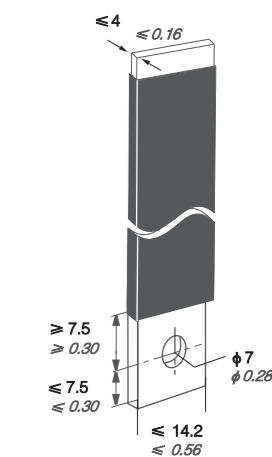
2 例如/eg: In=125A
Ir=0.8In=100A



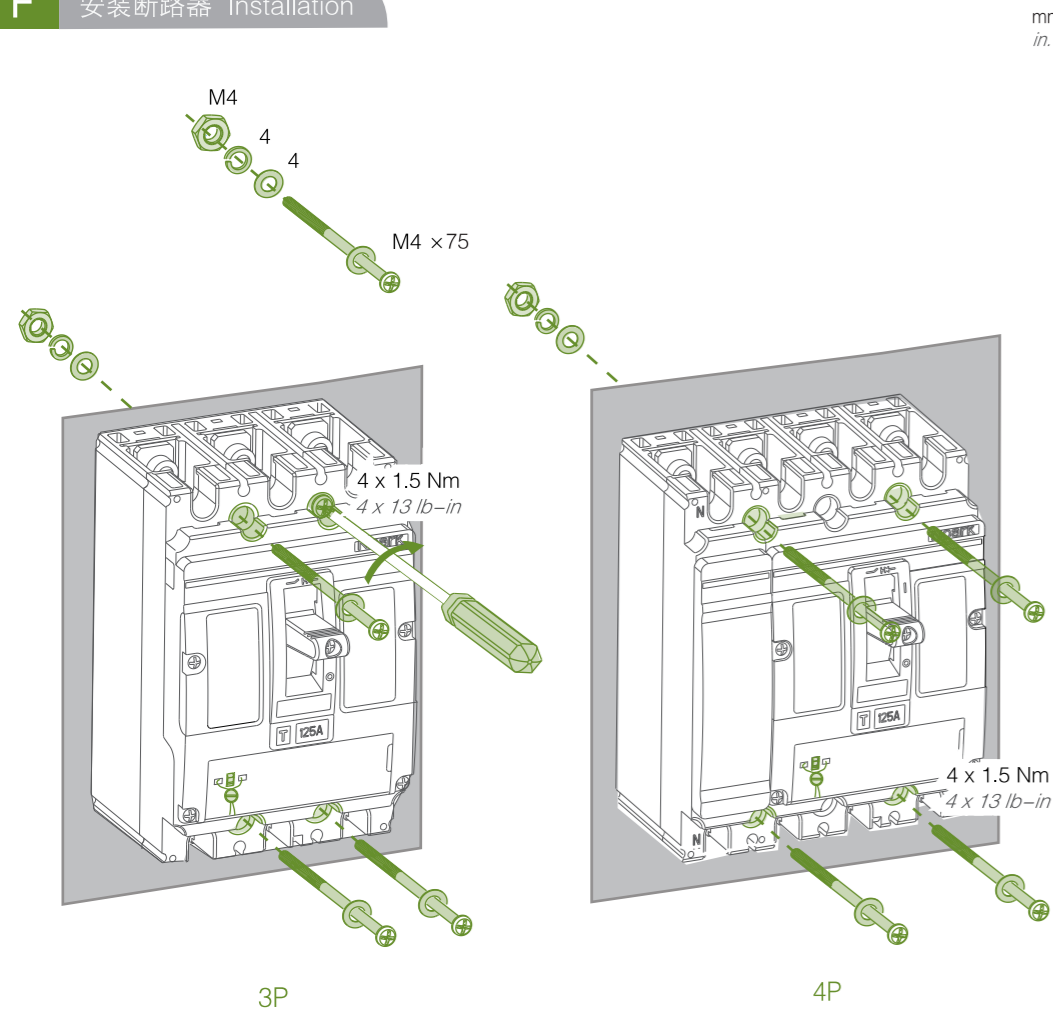
3

E 导线 Lug Bus-bar

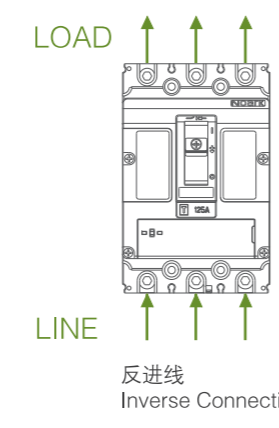
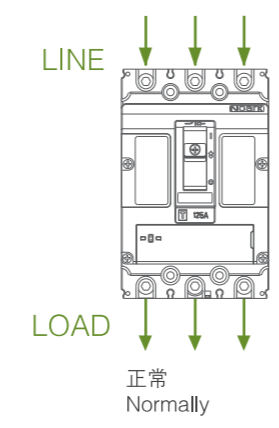
mm
in.



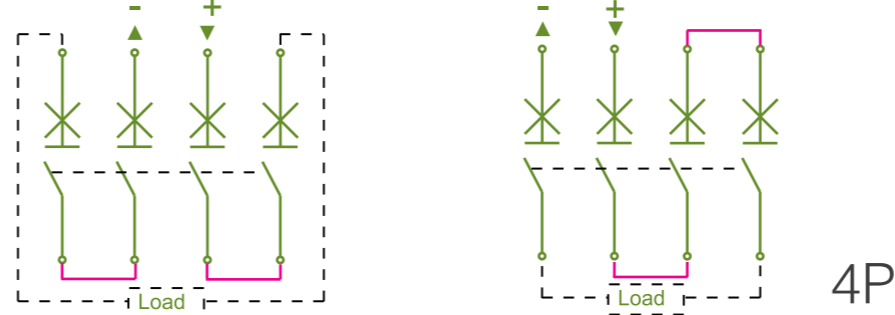
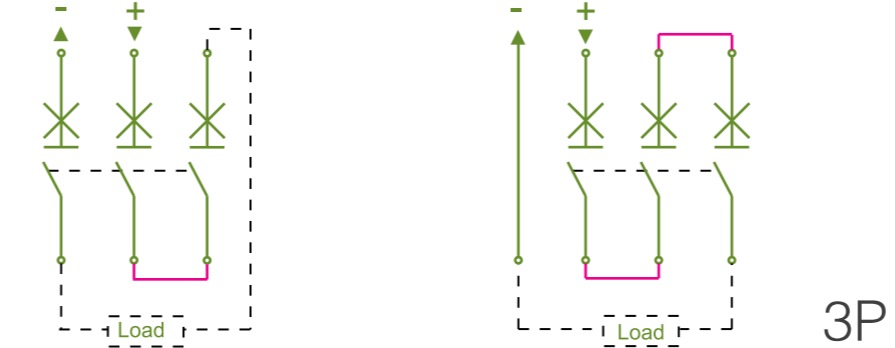
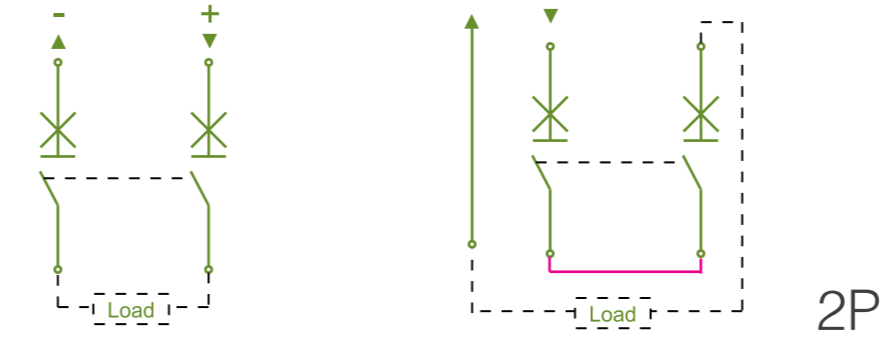
F 安装断路器 Installation



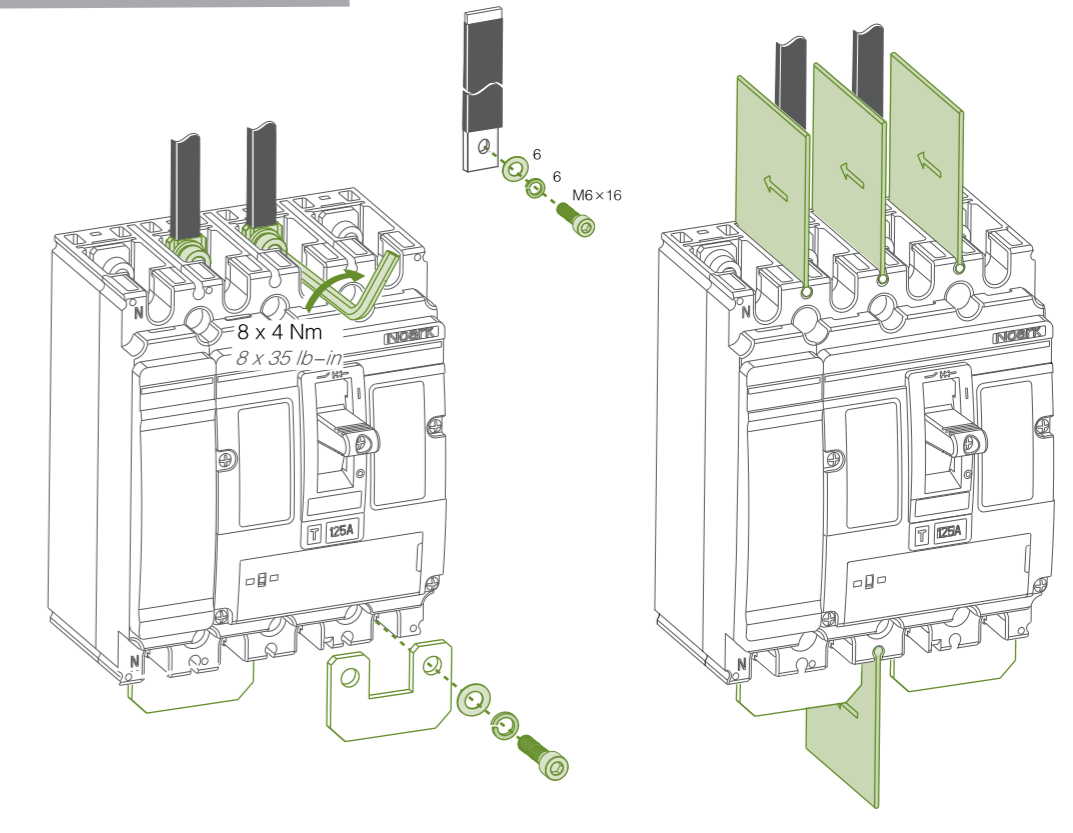
G 进线方式 Connecting Type



H 接线方式 Wiring Method



I 接线示意图 Schematic Diagram



上海诺雅克电气有限公司
NOARK Electric (Shanghai) Co., Ltd.
地址: 上海市松江区文合路855号
Add: 855 Wenhe Road, Songjiang District, Shanghai
电话/Tel: +86-021-3779 1111
客服热线/ Customer Service Hotline: 400-1092-111

采用环保纸印刷
Printed with environmentally-friendly paper
本说明书解释权归NOARK所有。
The expression right of the instructions
are owned by NOARK.

Ex9MD2 (125A~250A)

Ex9MD2塑料外壳式断路器
Ex9MD2 Moulded Case Circuit Breaker

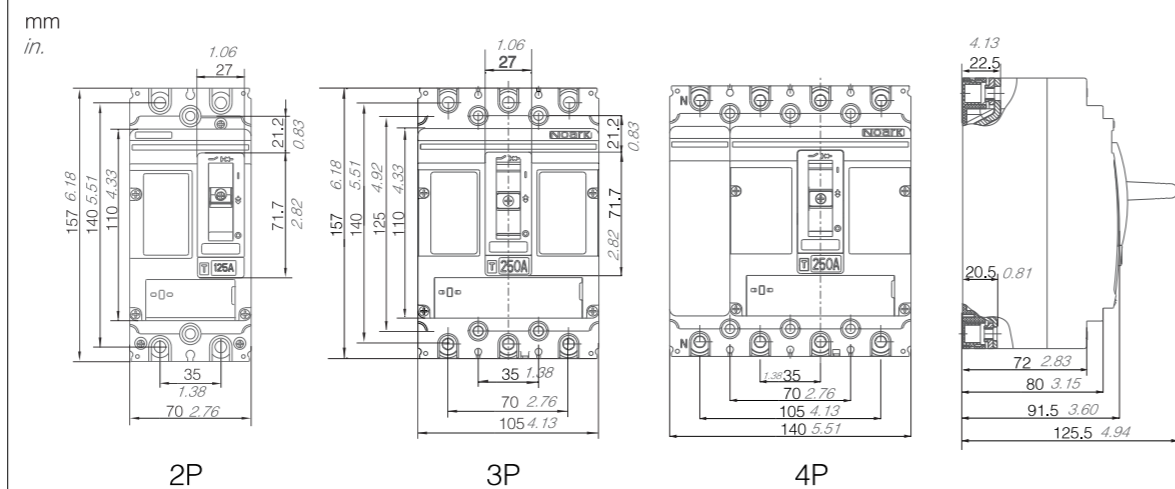


未按本说明书要求操作造成的不良后果，制造商将不承担责任。

The manufacturer assumes no responsibility for unfavourable consequence resulting from the non-application or incorrect application of the instructions provided herein.



外形尺寸 Outline Dimension



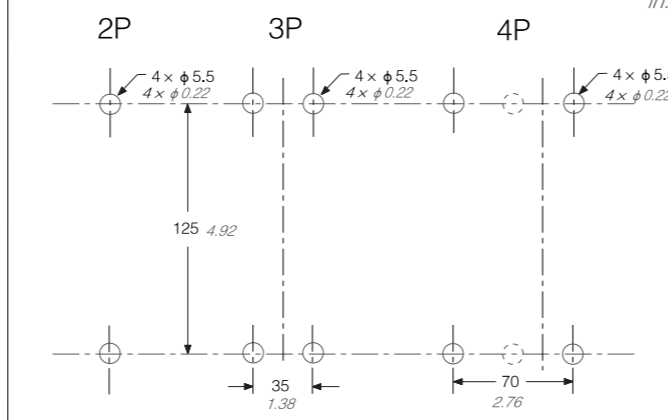
铭牌 Nameplate



在此包装盒中除产品本体上所粘贴的铭牌外，还附加了手操、电操粘贴用的综合铭牌。客户若需使用手操或电操，其粘贴方法详见相关说明书。

Except the existing nameplate on the product, we also prepare comprehensive nameplates for your manual use. Customers can use it in according to the instruction as needed.

安装尺寸 Installation Dimension

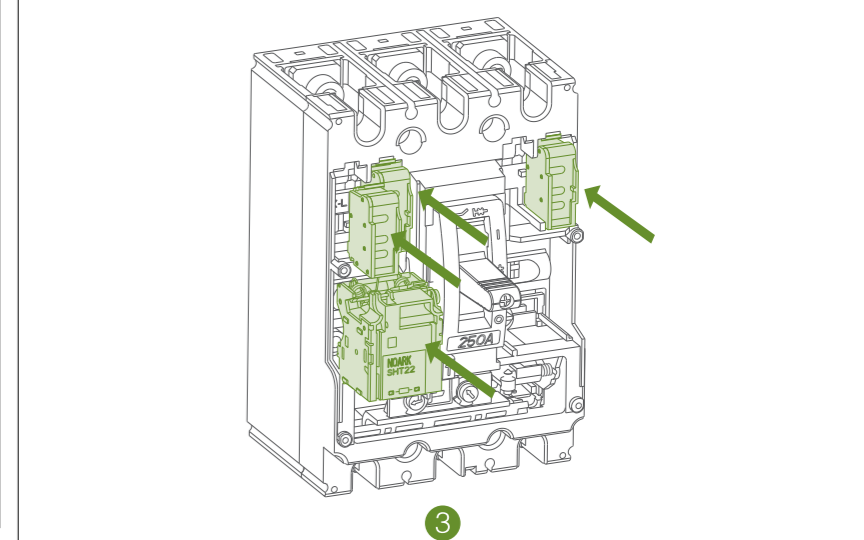
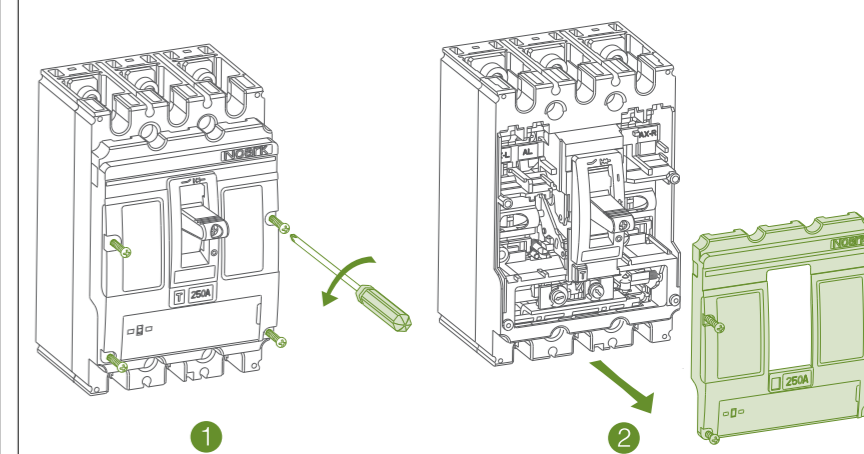


标配附件及必要工具 Standard Accessories & Necessary Tools

名称 Appellation	规格 Model	数量 Number		示意图 Figure			
		3P	4P	安装螺钉 Installation Bolt	弹垫 S-Washer	平垫 F-Washer	螺母 Nut
安装螺钉 Installation Bolt	M5 × 75	4	4				
弹垫 Spring Washer	5/8	4/6	4/8				
平垫 Flat Washer	5/8	4/6	4/8				
螺母 Nut	M5	4	4				
隔弧板 Phase Barrier		4	6				
短接排 Short-Link Busbar		2	2				

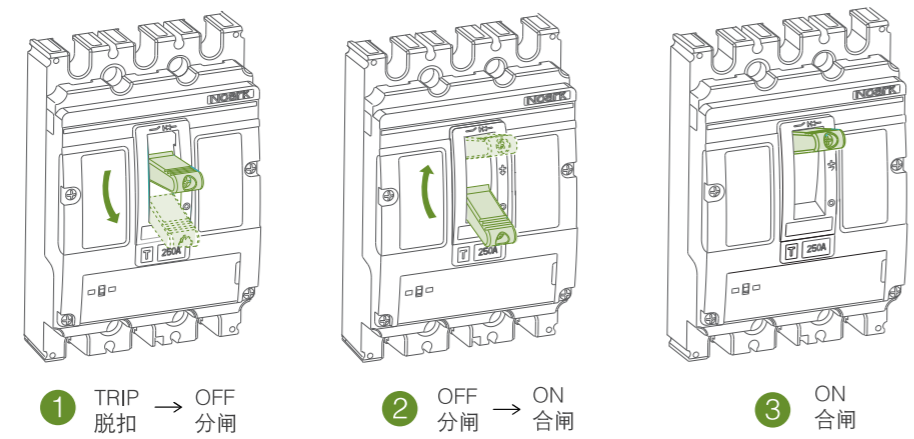
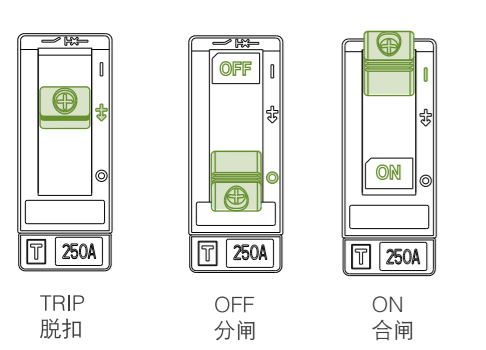
必要工具 Necessary Tools

六角扳手 Hex key		螺丝刀 Screw-driver	
mm in.		mm in.	
			≤ φ4 φ 0.16
			φ 4.5-5 φ 0.18-0.20
			6 0.24

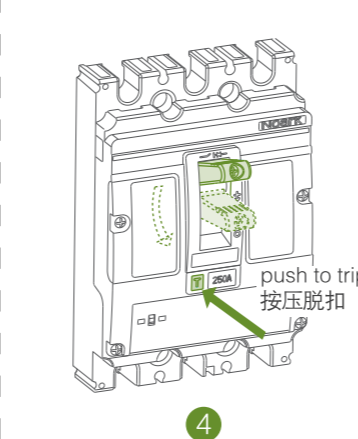


A 操作测试 Operating Test

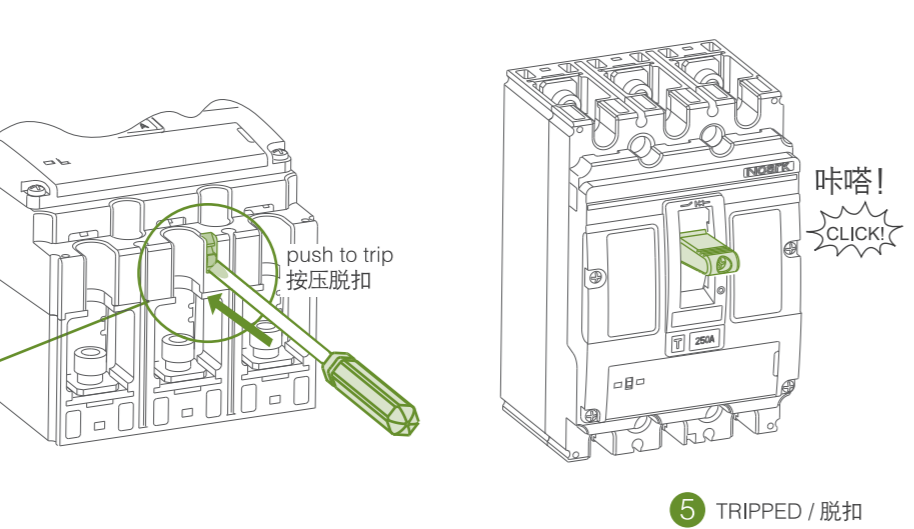
测试前准备:
Before testing:



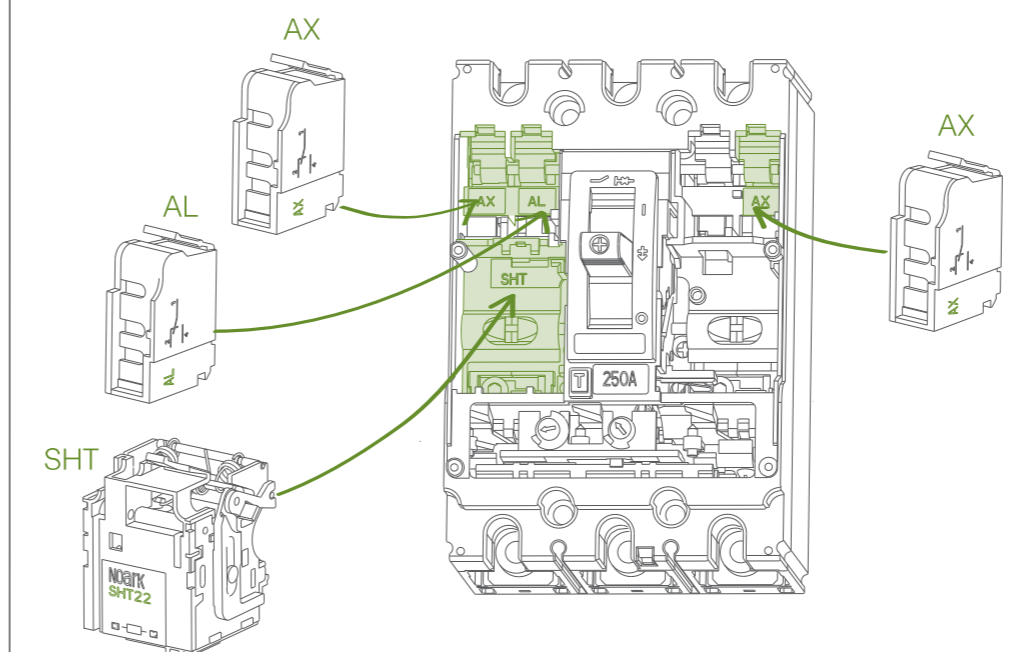
测试1:
Test 1:



测试2:
Test 2:

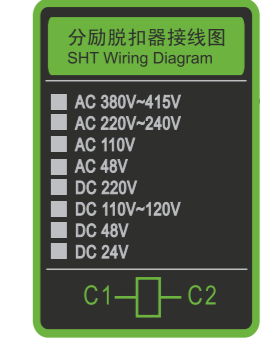
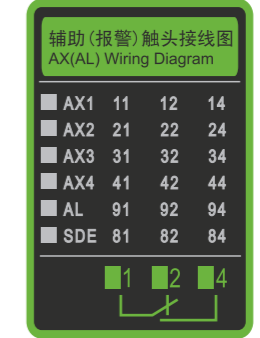
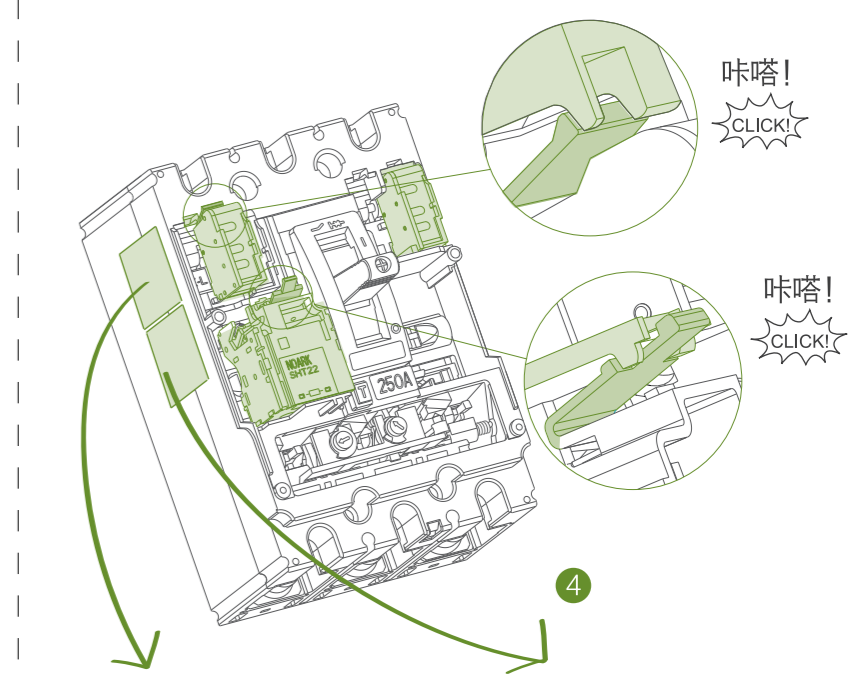


B 内部附件及安装 Internal Accessories & Installation

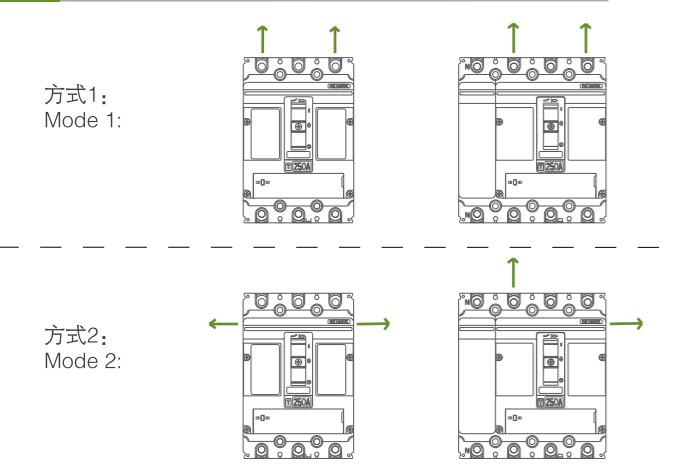


AX	辅助触头 Auxiliary Contact	合闸 ON	AX12 — AX11
AL	报警触头 Alarm Contact	分闸 OFF	AX12 — AX11
SHT	分励脱扣器 Shunt Release	分、合闸 OFF & ON	AL92 — AL91
		自由脱扣 TRIP	AL94 — AL91

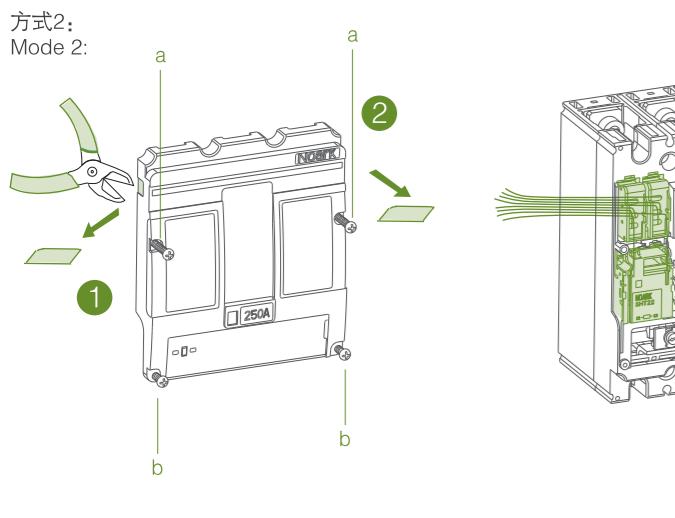
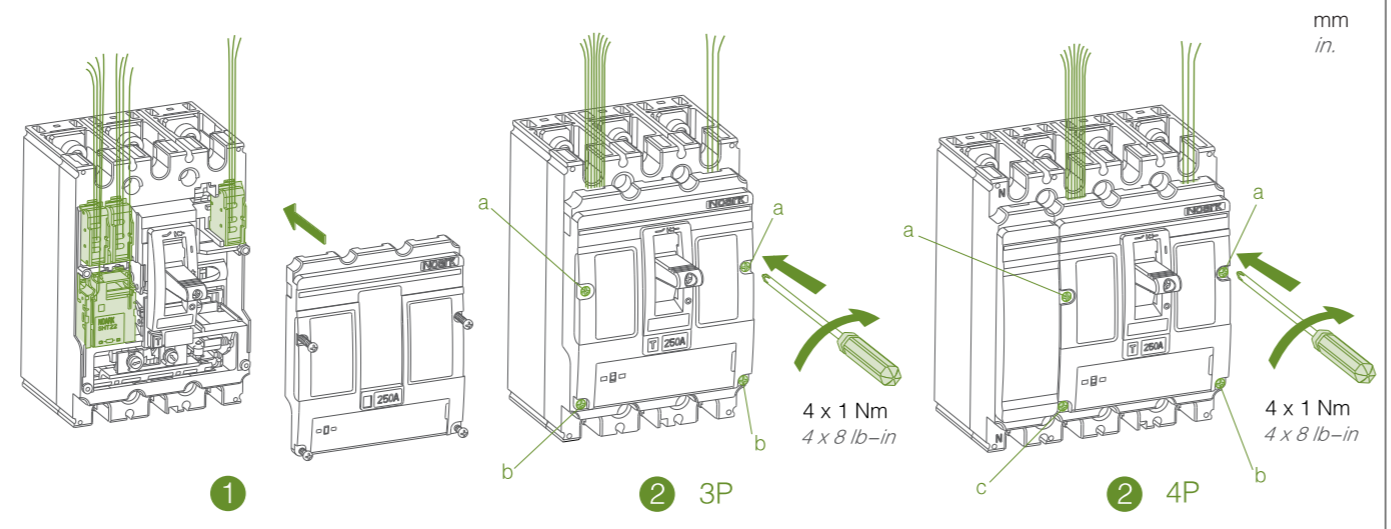
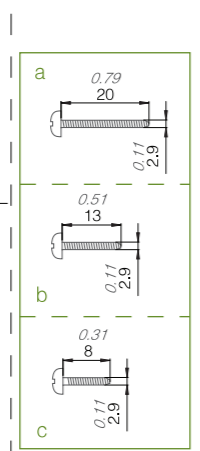
注: 2P只能安装AX和AL



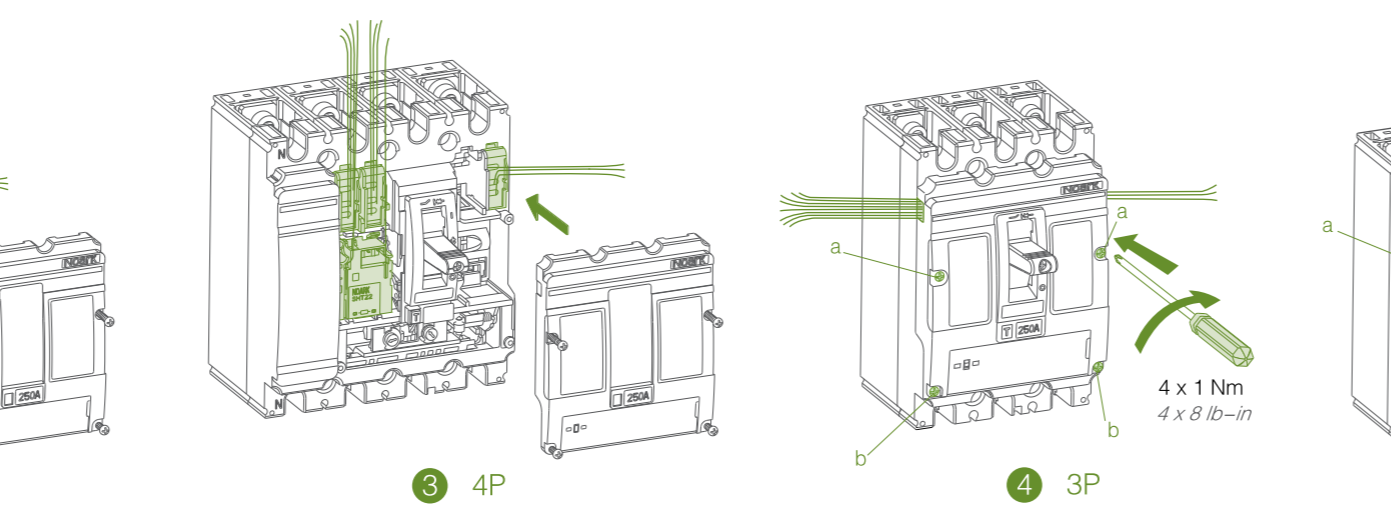
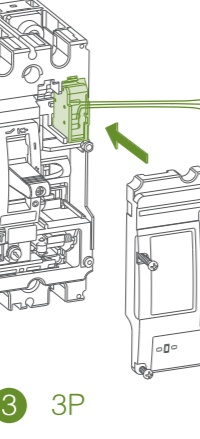
C 内部附件导线 Internal Accessories Wiring



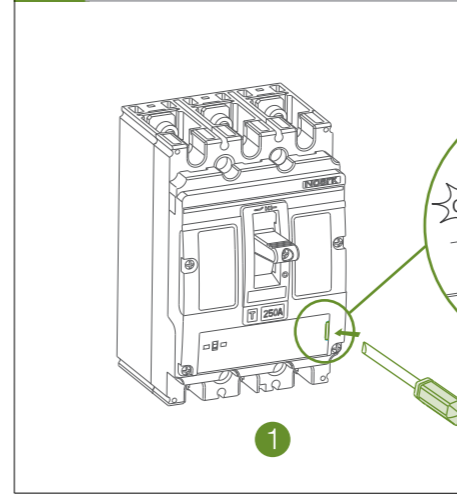
方式1: Mode 1:



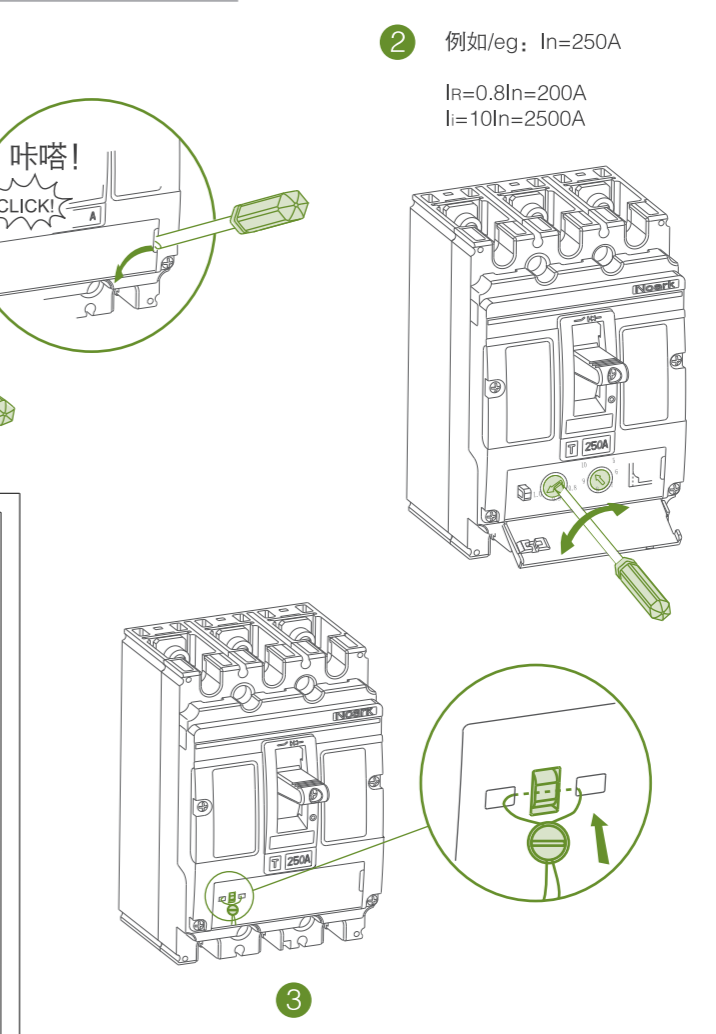
方式2: Mode 2:



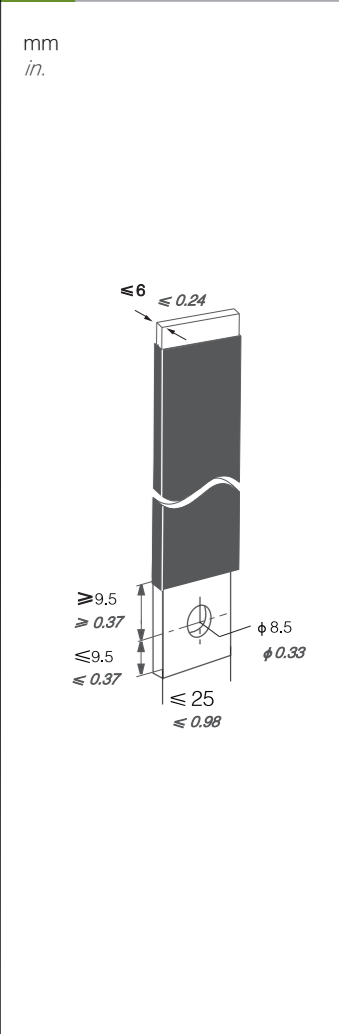
D 参数设置、铅封 Parameters Setting & Sealing



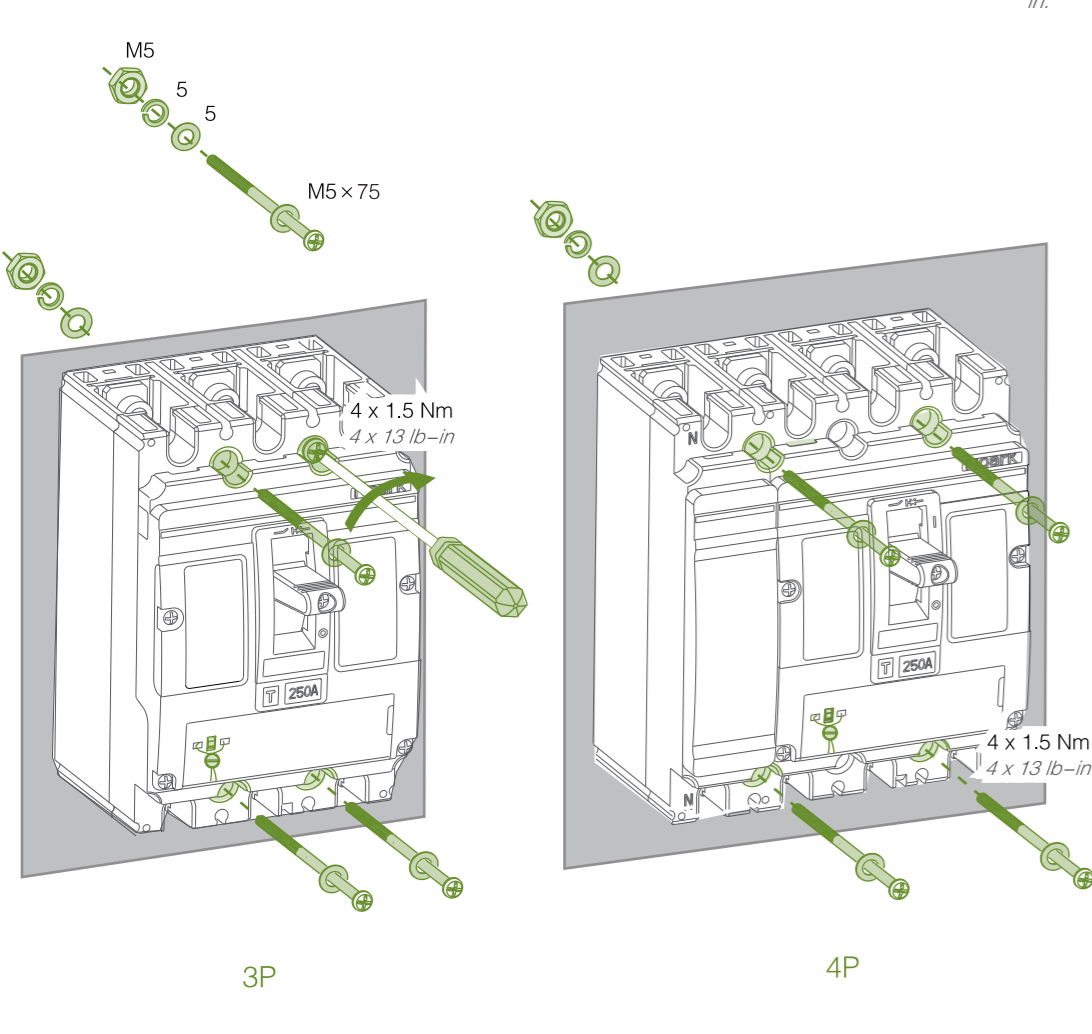
2 例如/eg: In=250A
I_R=0.8I_n=200A
I_I=10I_n=2500A



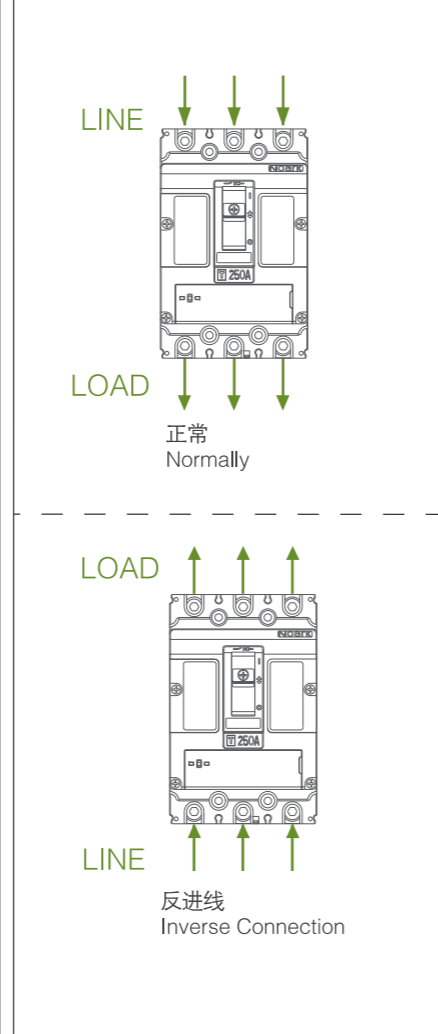
E 导线 Lug Bus-bar



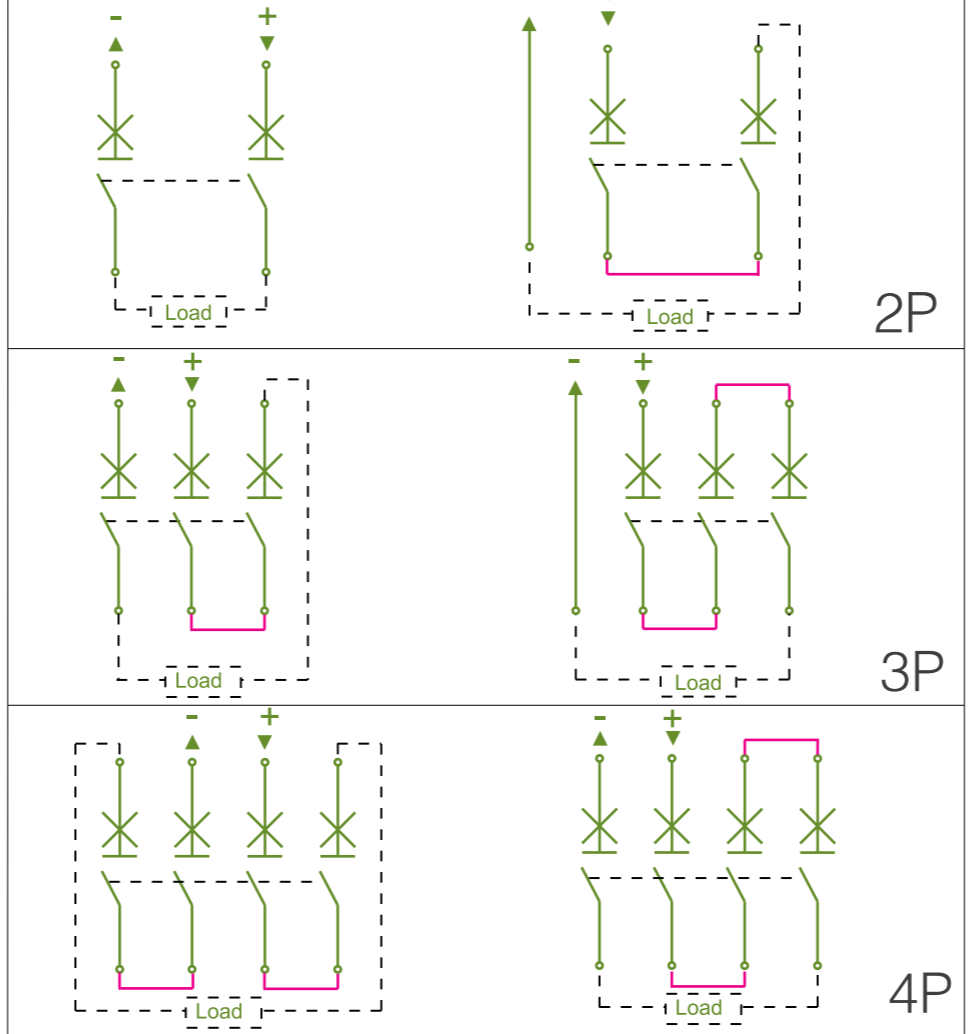
F 安装断路器 Installation



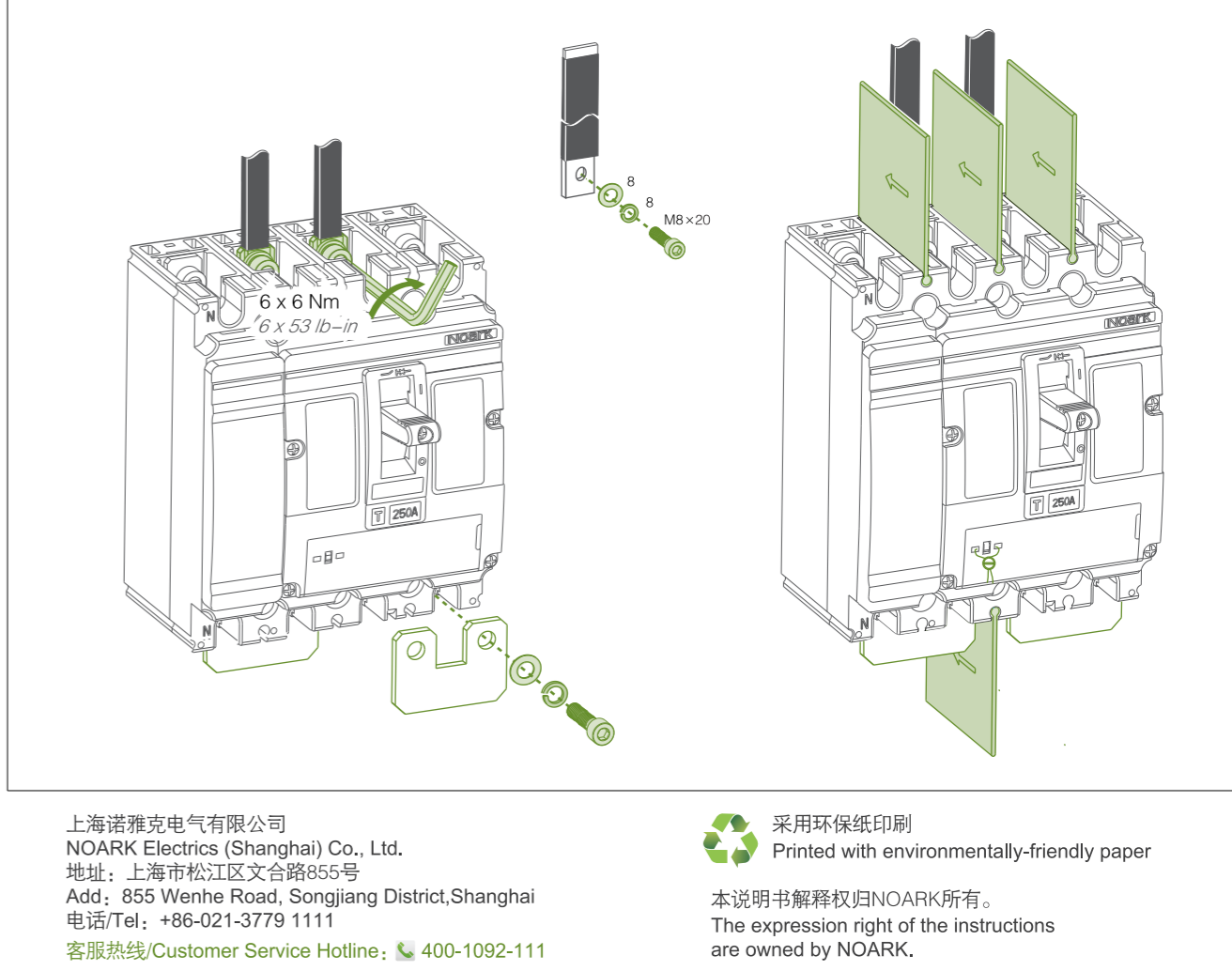
G 进线方式 Connecting Type



H 接线方式 Wiring Method



I 接线示意图 Schematic Diagram



Ex9MD3 (250A~400A)

Ex9MD3塑料外壳式断路器
Ex9MD3 Moulded Case Circuit Breaker

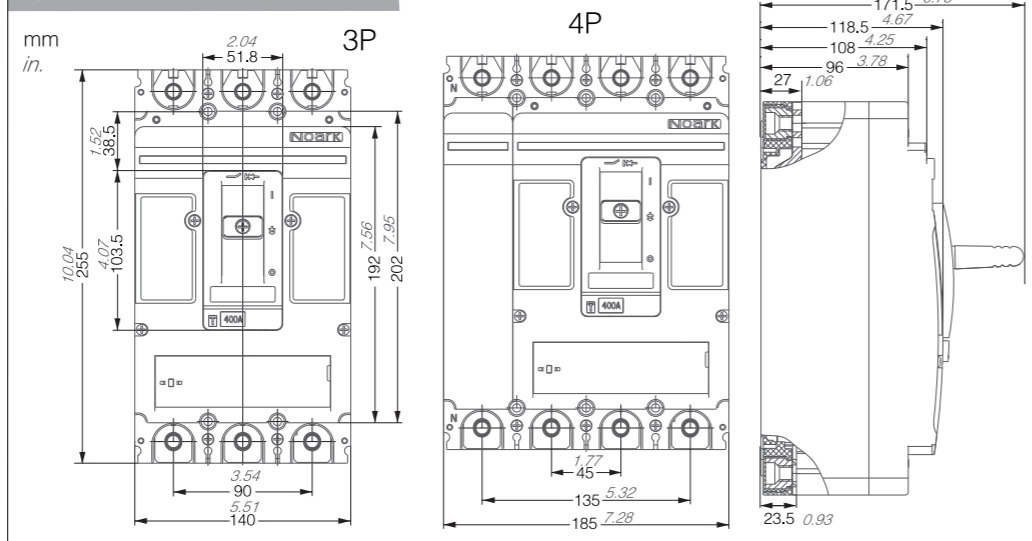


未按本说明书要求操作造成的不良后果，制造商将不承担责任。

The manufacturer assumes no responsibility for unfavourable consequence resulting from the non-application or incorrect application of the instructions provided herein.



外形尺寸 Outline Dimension



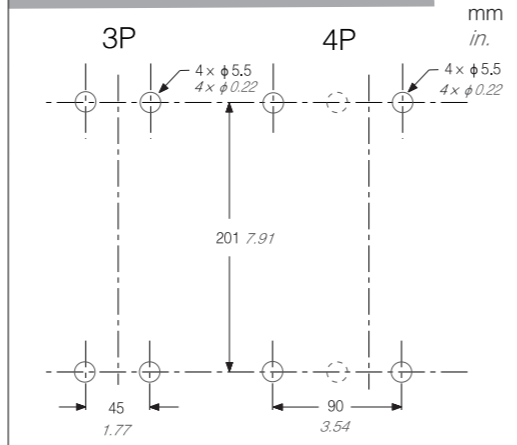
铭牌 Nameplate



在此包装盒中除产品本体上所粘贴的铭牌外，还附加了手操、电操粘贴用的综合铭牌。客户若需使用手操或电操，其粘贴方法详见相关说明书。

Except the existing nameplate on the product, we also prepare comprehensive nameplates for your manual use. Customers can use it in according to the instruction as needed.

安装尺寸 Installation Dimension



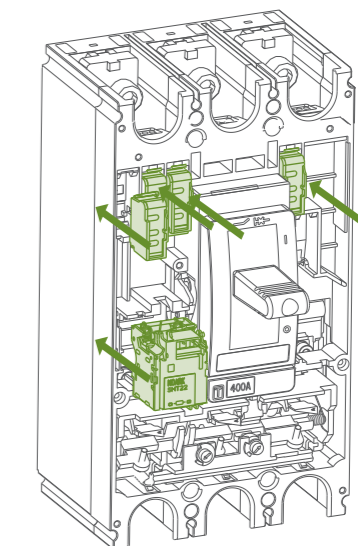
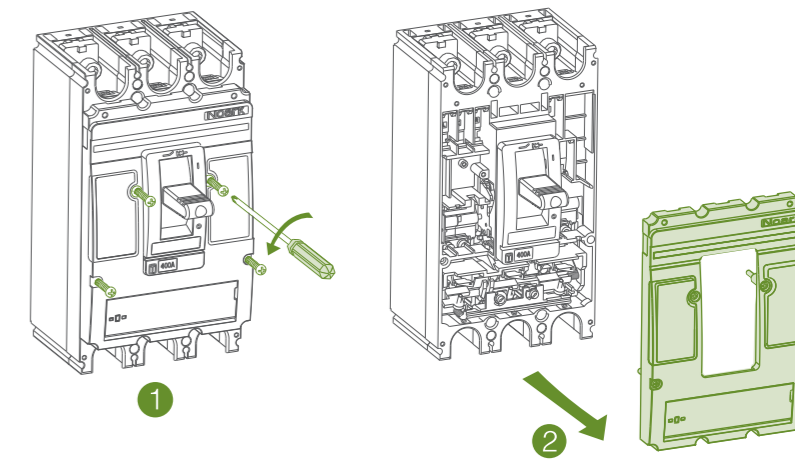
标配附件及必要工具 Standard Accessories & Necessary Tools

标配附件 Standard Accessories

名称 Appellation	规格 Model	数量 Number		示意图 Figure					
		3P	4P	安装螺钉 Installation Bolt	弹垫 S-Washer	平垫 F-Washer	螺母 Nut	接线螺钉 Terminal Bolt	六角螺钉 Hex Bolt
安装螺钉 Installation Bolt	M5×95	4	4						
接线螺钉 Terminal Bolt	M10×40	6	8						
弹垫 Spring Washer	5/10/12	4/6/6	4/8/8						
平垫 Flat Washer	5/10/12	4/6/6	4/8/8						
螺母 Nut	M5/M12	4/6	4/8						
六角螺钉 Hex Bolt	M12×30	6	8						
隔弧板 Phase Barrier		4	6						
短接排 Short-Link Busbar		2	2						

必要工具 Necessary Tools

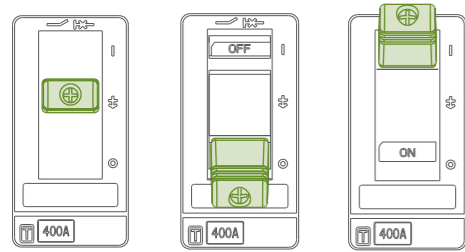
六角扳手 Hex key		螺丝刀 Screw-driver	
mm in.		mm in.	
			≤ φ4 ≤ φ0.16
			φ4.5-5 φ0.18-0.20



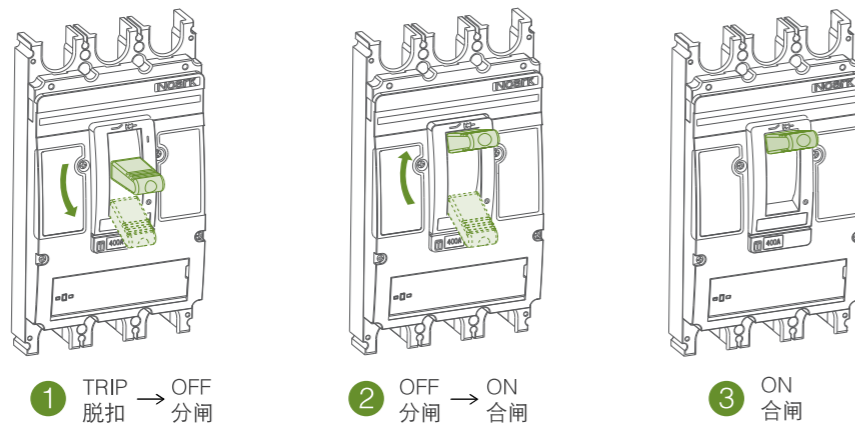
3

A 操作测试 Operating Test

测试前准备:
Before testing:

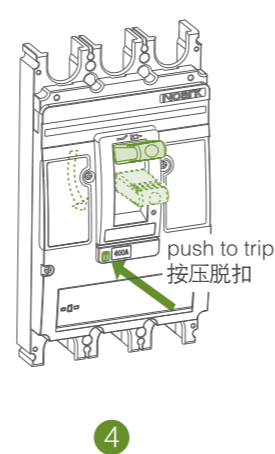


TRIP 脱扣
OFF 分闸
ON 合闸



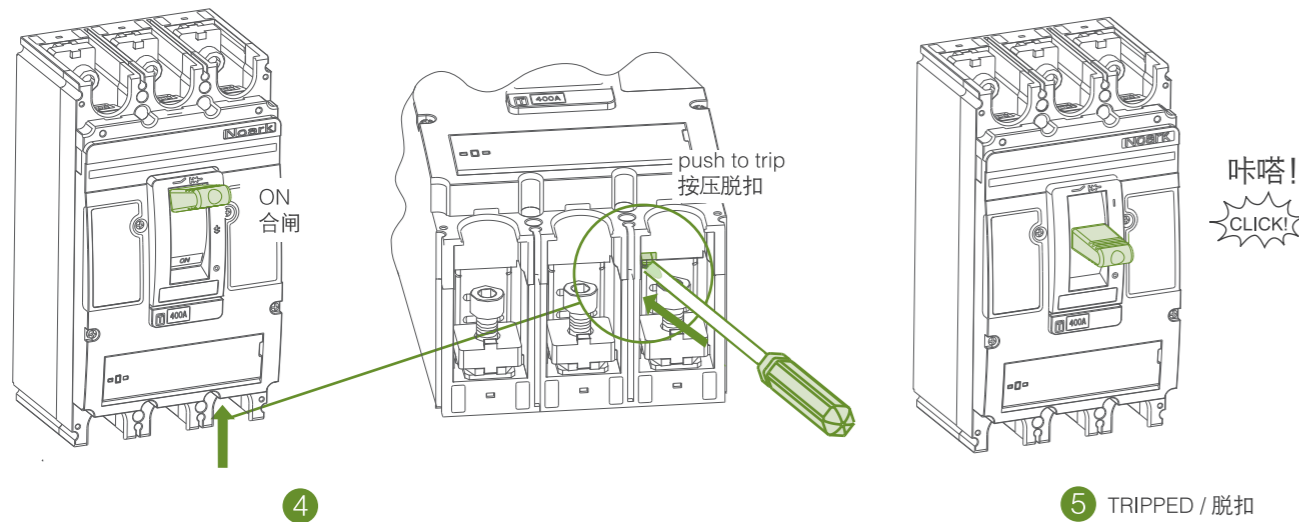
1 TRIP 脱扣 → OFF 分闸
2 OFF 分闸 → ON 合闸
3 ON 合闸

测试1:
Test 1:



4

测试2:
Test 2:

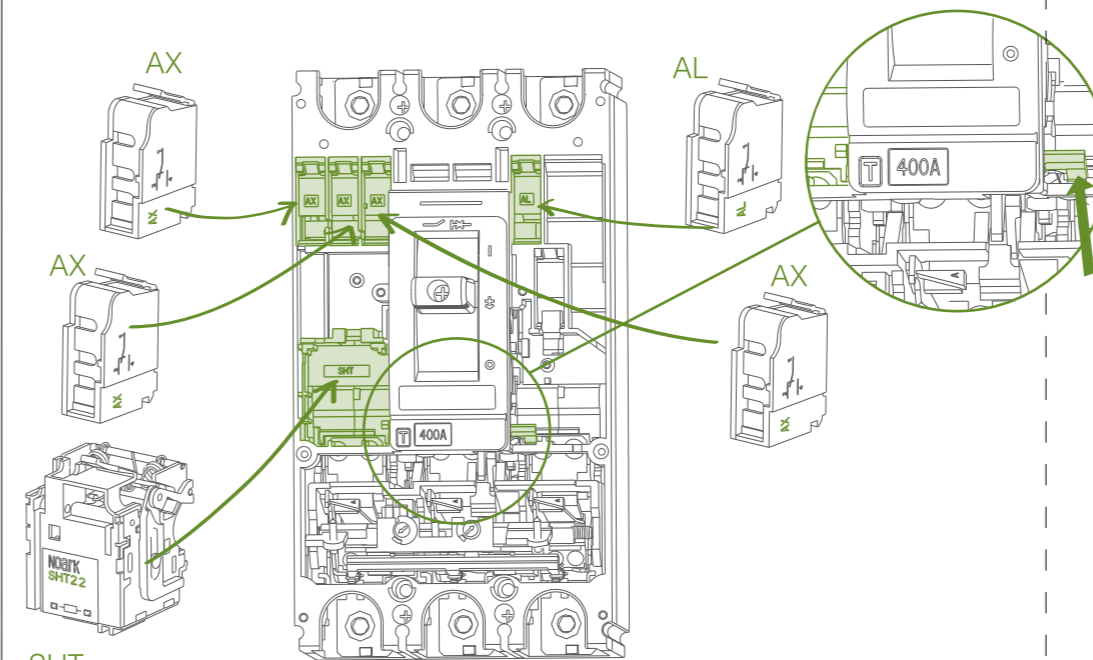


4

5 TRIPPED / 脱扣

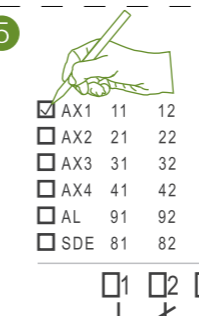
5 TRIPPED / 脱扣

B 内部附件及安装 Internal Accessories & Installation

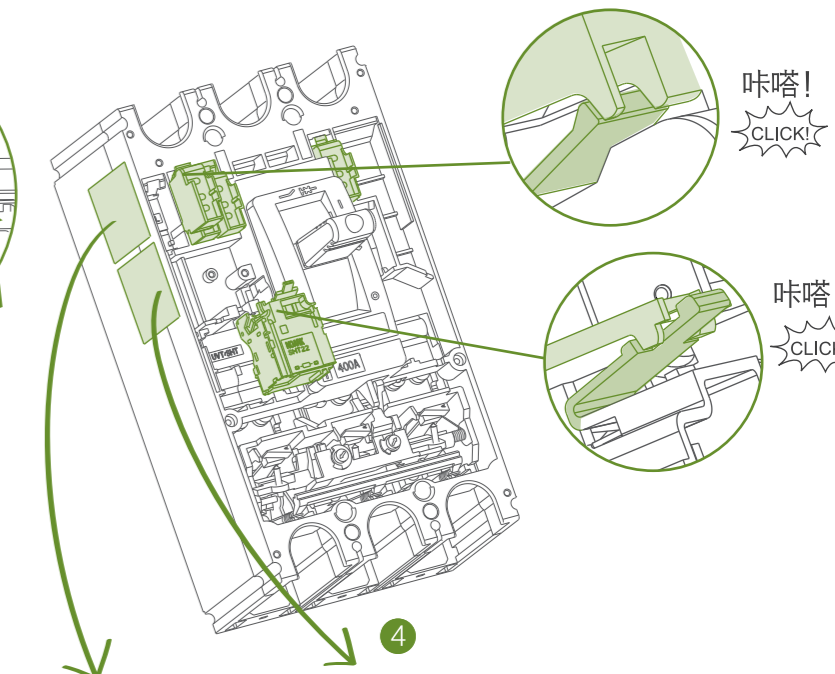


SHT

AX	辅助触头 Auxiliary Contact
AL	报警触头 Alarm Contact
SHT	分励脱扣器 Shunt Release



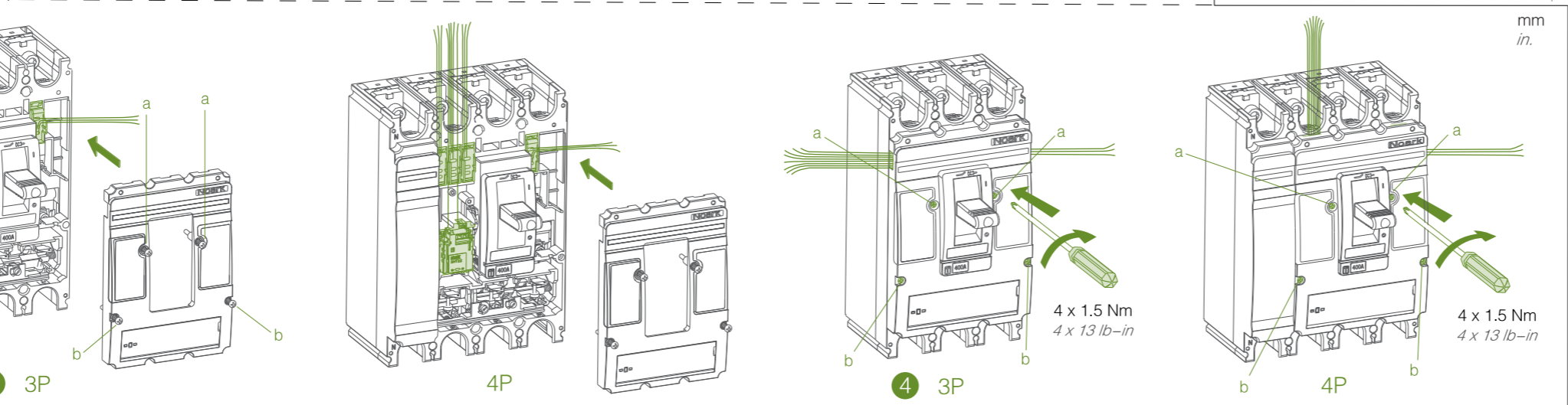
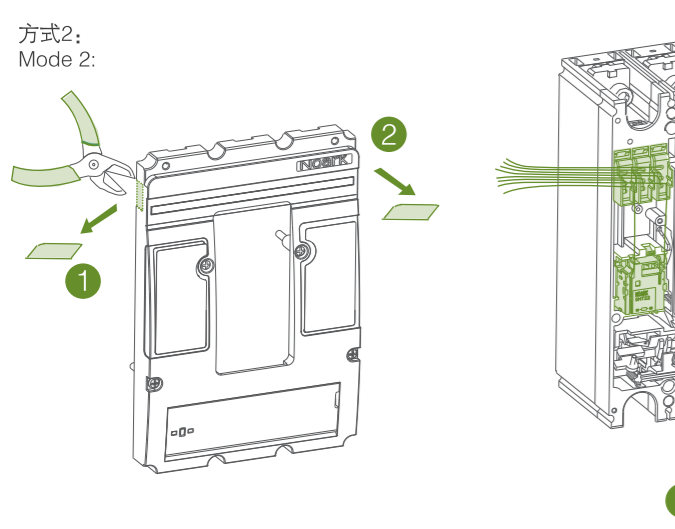
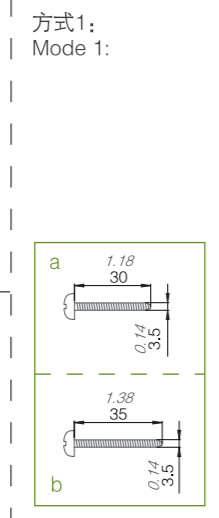
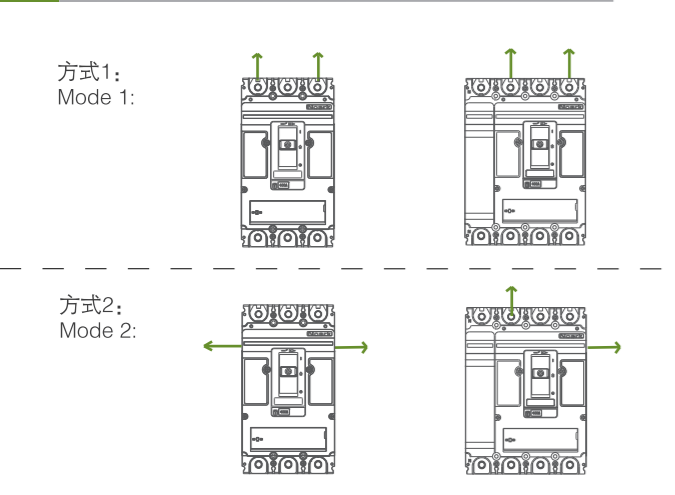
AX	合闸 ON	AX12 — AX11	AX14 — AX11
	分闸 OFF	AX12 — AX11	AX14 —
AL	分、合闸 OFF & ON	AL92 — AL91	AL94 —
	自由脱扣 TRIP	AL92 — AL91	AL94 —



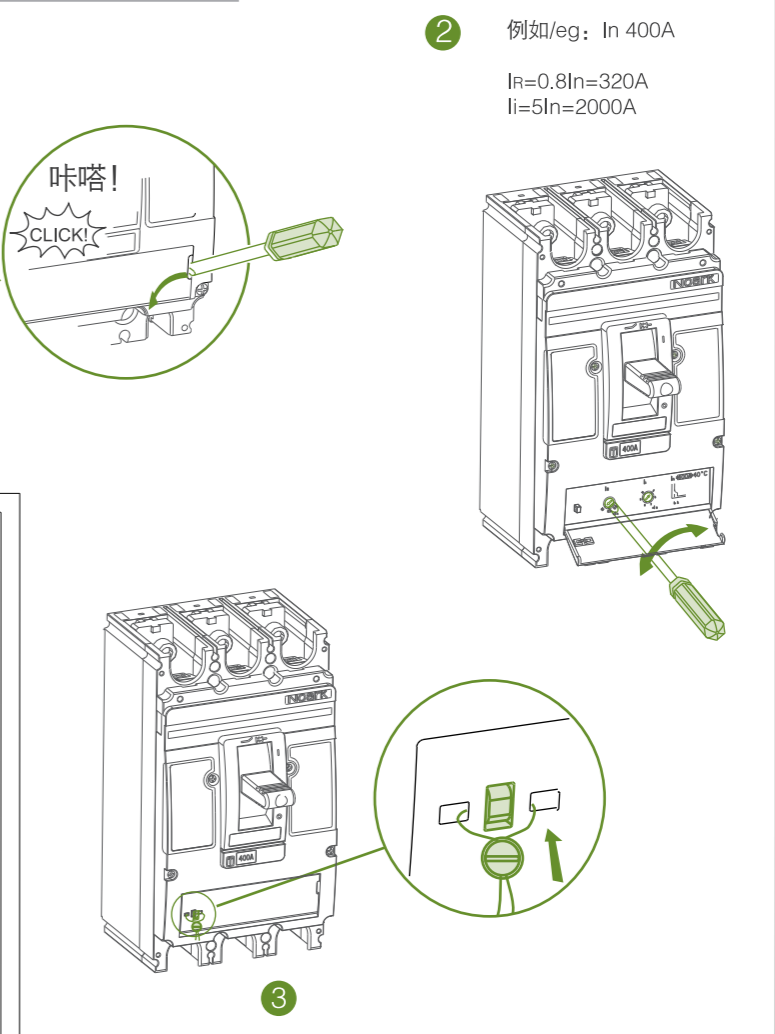
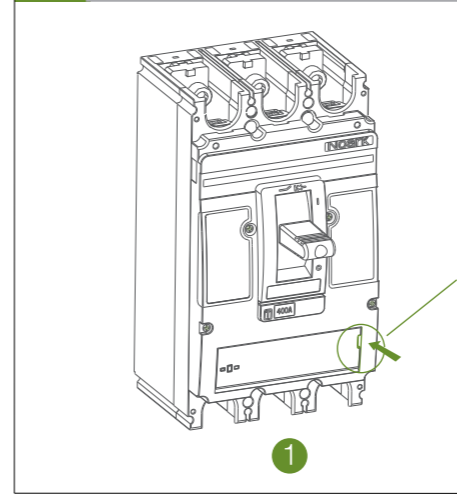
辅助(报警)触头接线图 AX(AL) Wiring Diagram	
AX1	11 12 14
AX2	21 22 24
AX3	31 32 34
AX4	41 42 44
AL	91 92 94
SDE	81 82 84

分励脱扣器接线图 SHT Wiring Diagram	
AC	380V-415V
AC	220V-240V
AC	110V
AC	48V
DC	220V
DC	110V-120V
DC	48V
DC	24V

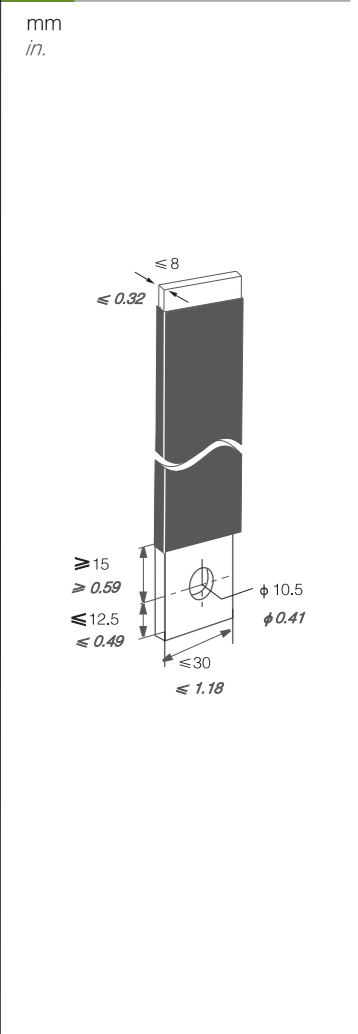
C 内部附件走线 Internal Accessories Wiring



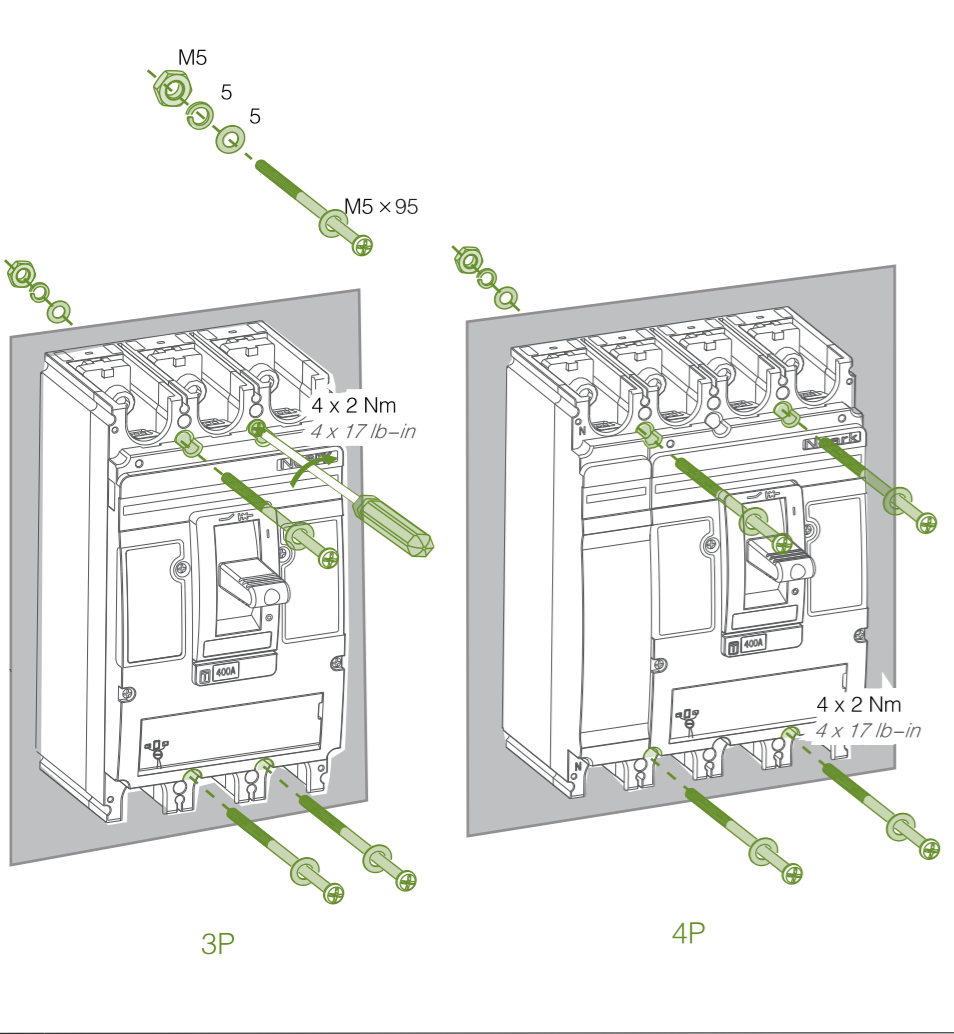
D 参数设置、铅封 Parameters Setting & Sealing



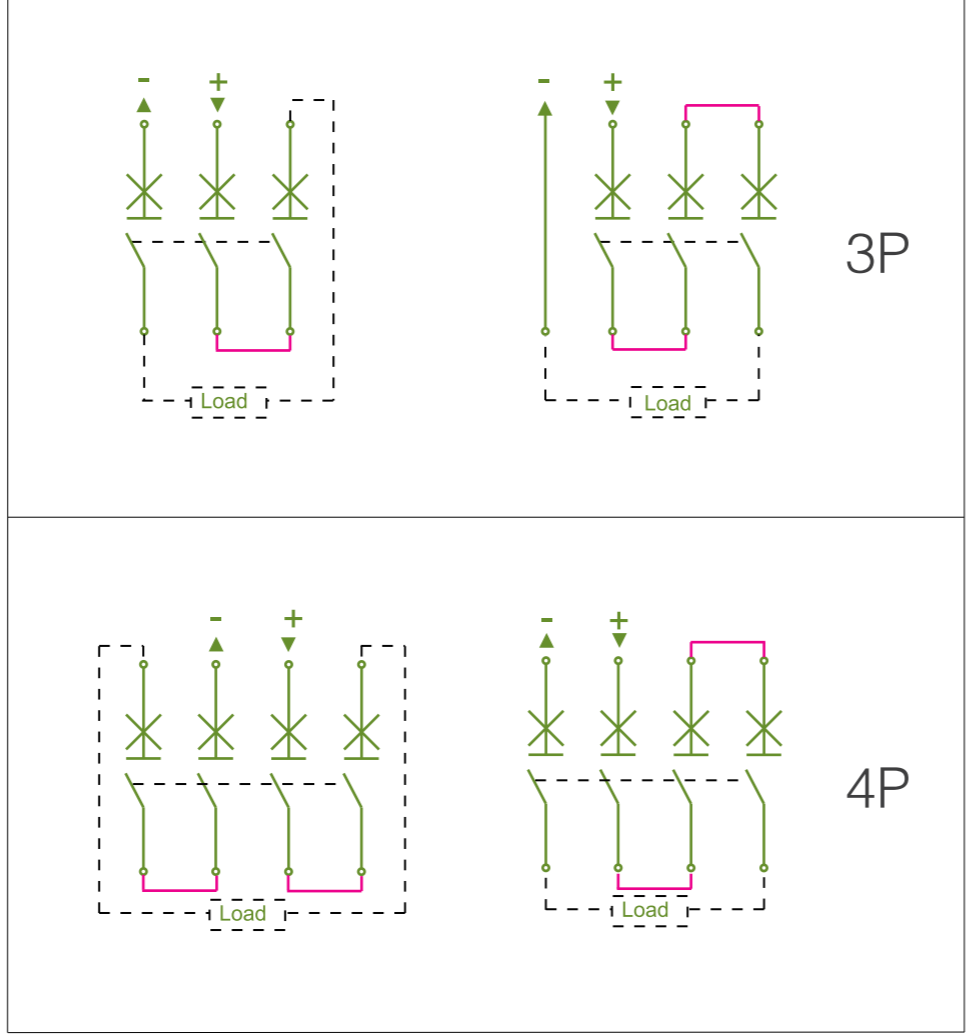
E 导线 Lug Bus-bar



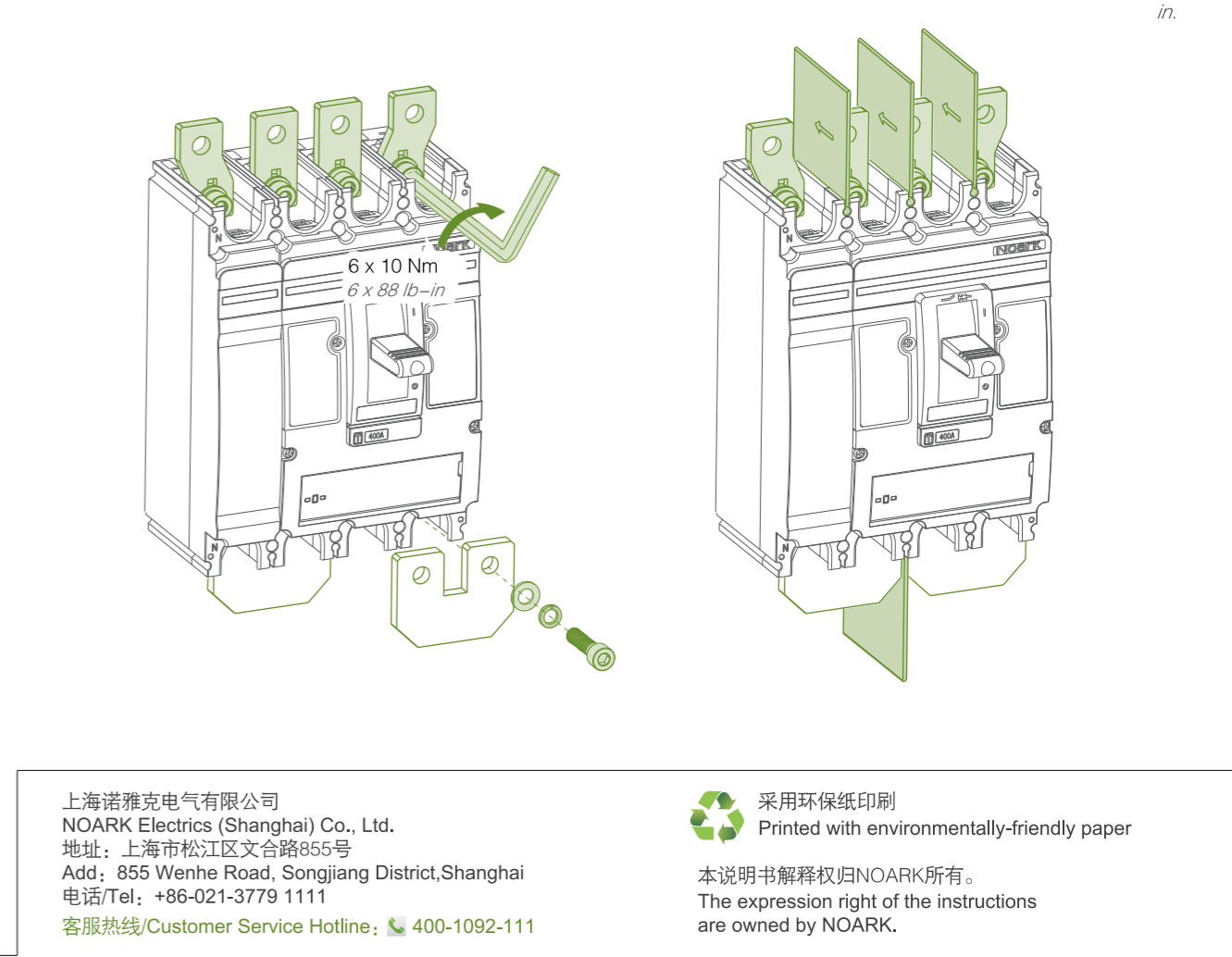
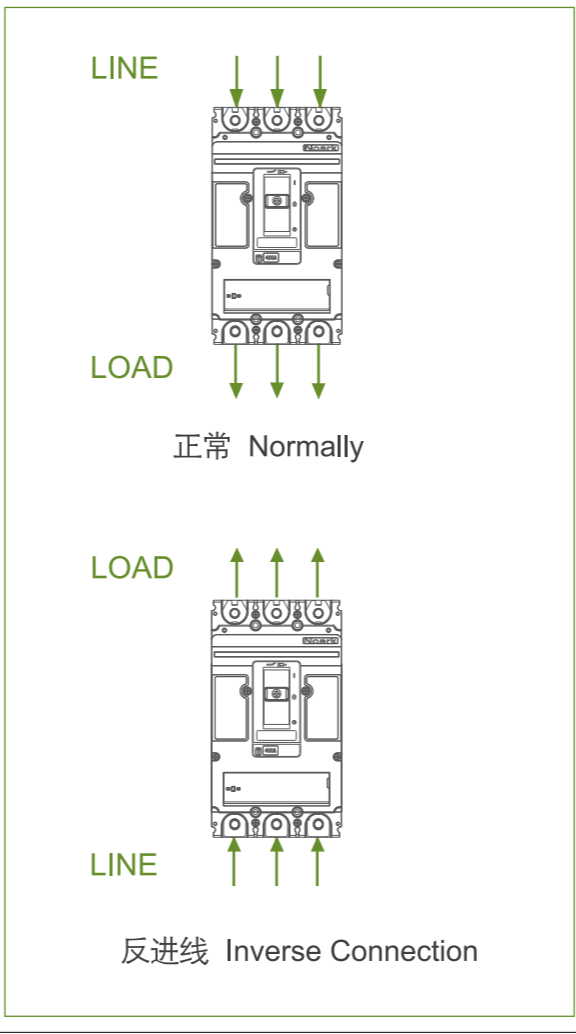
F 安装断路器 Installation



H 接线方式 Wiring Method



I 接线示意图 Schematic Diagram



上海诺雅克电气有限公司
NOARK Electric (Shanghai) Co., Ltd.
地址: 上海市松江区文合路855号
Add: 855 Wenhe Road, Songjiang District, Shanghai
电话/Tel: +86-021-3779 1111
客服热线/ Customer Service Hotline: 400-1092-111

采用环保纸印刷
Printed with environmentally-friendly paper
本说明书解释权归NOARK所有。
The expression right of the instructions are owned by NOARK.

Ex9MD4 (400A~630A)

Ex9MD4塑料外壳式断路器

Ex9MD4 Moulded Case Circuit Breaker

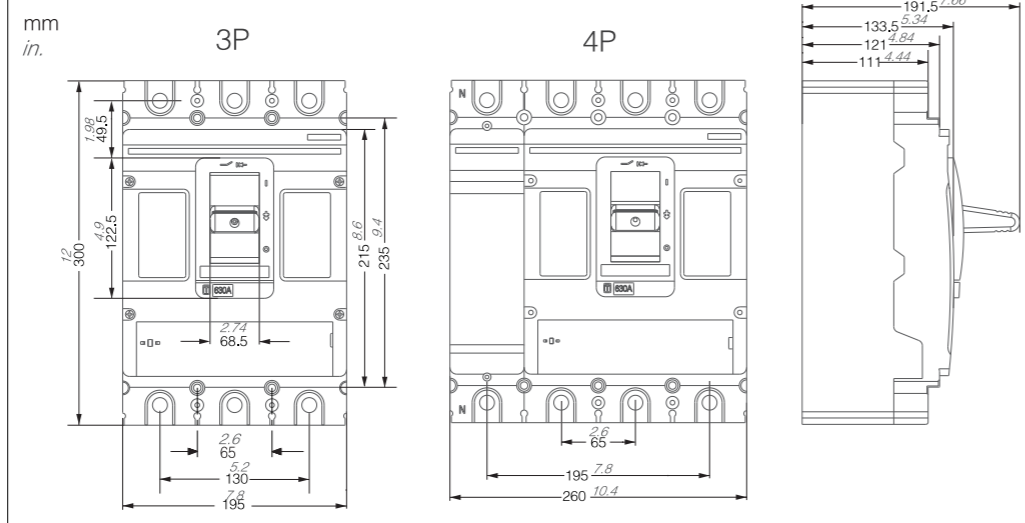


未按本说明书要求操作造成的不良后果，制造商将不承担责任。

The manufacturer assumes no responsibility for unfavourable consequence resulting from the non-application or incorrect application of the instructions provided herein.

NOARK 诺雅克

外形尺寸 Outline Dimension



铭牌 Nameplate

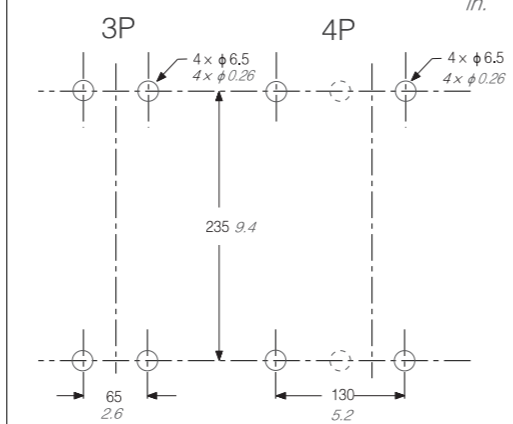


在此包装盒中除产品本体上所粘贴的铭牌外，还附加了手操、电操粘贴用的综合铭牌。客户若需使用手操或电操，其粘贴方法详见相关说明书。

630A

Except the existing nameplate on the product, we also prepare comprehensive nameplates for your manual use. Customers can use it in according to the instruction as needed.

安装尺寸 Installation Dimension

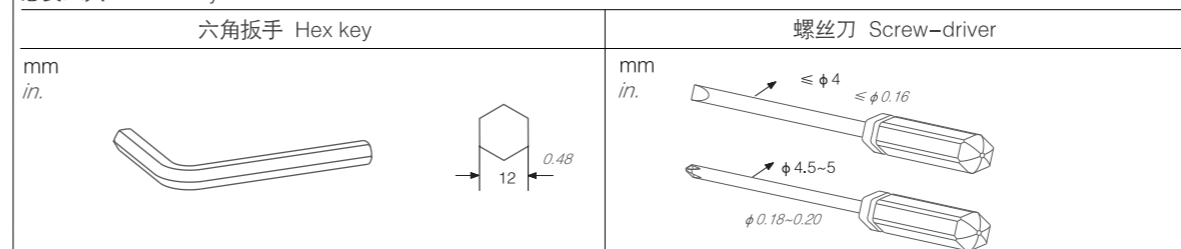


标配附件及必要工具 Standard Accessories & Necessary Tools

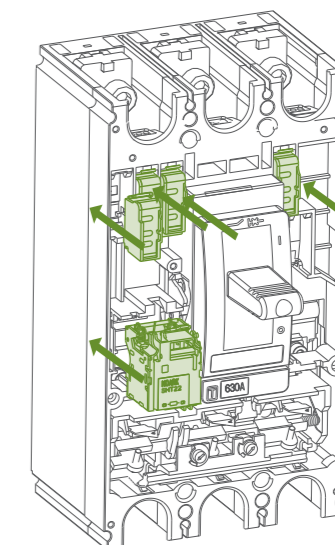
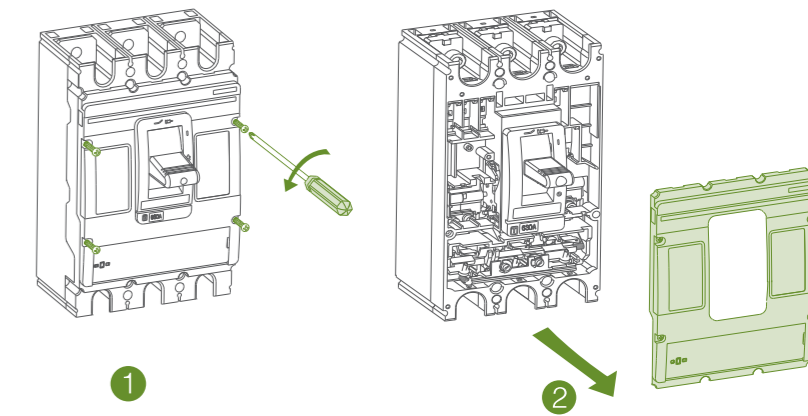
标配附件 Standard Accessories

名称 Appellation	规格 Model	数量 Number		示意图 Figure				
		3P	4P	安装螺钉 Installation Bolt	弹垫 S-Washer	平垫 F-Washer	螺母 Nut	接线螺钉 Terminal Bolt
安装螺钉 Installation Bolt	M5×95	4	4					
接线螺钉 Terminal Bolt	M12×30	6	8					
弹垫 Spring Washer	5/12	4/6/6	4/8/8					
平垫 Flat Washer	5/12	4/6/6	4/8/8					
螺母 Nut	M5	4/6	4/8					
隔弧板 Phase Barrier		4	6					
短接排 Short-Link Busbar		2	2					

必要工具 Necessary Tools



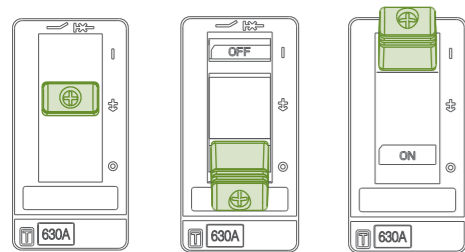
注@：附件@出厂时已装在产品本体上。 Notice @:The accessories @ have been installed on circuit breaker only.



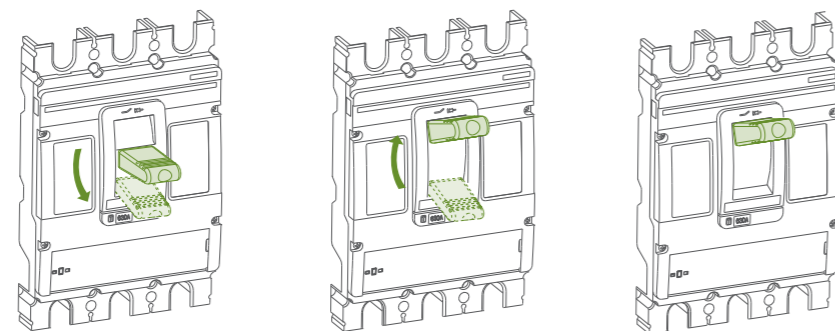
3

A 操作测试 Operating Test

测试前准备：
Before testing:

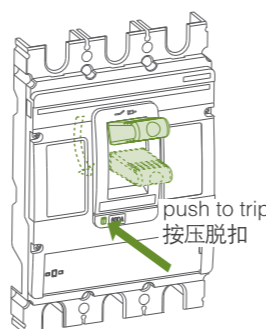


TRIP 脱扣
OFF 分闸
ON 合闸



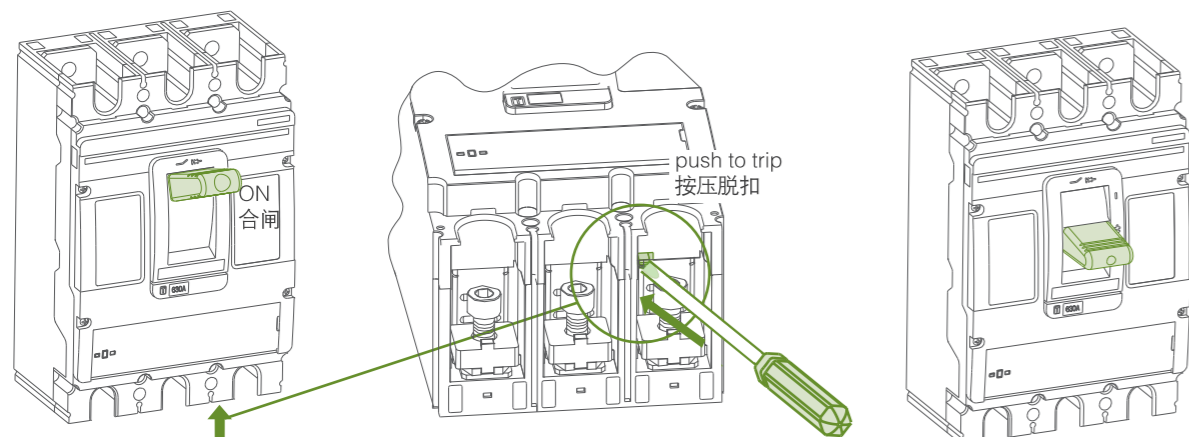
1 TRIP 脱扣 → OFF 分闸
2 OFF 分闸 → ON 合闸
3 ON 合闸

测试1：
Test 1:



4

测试2：
Test 2:



4

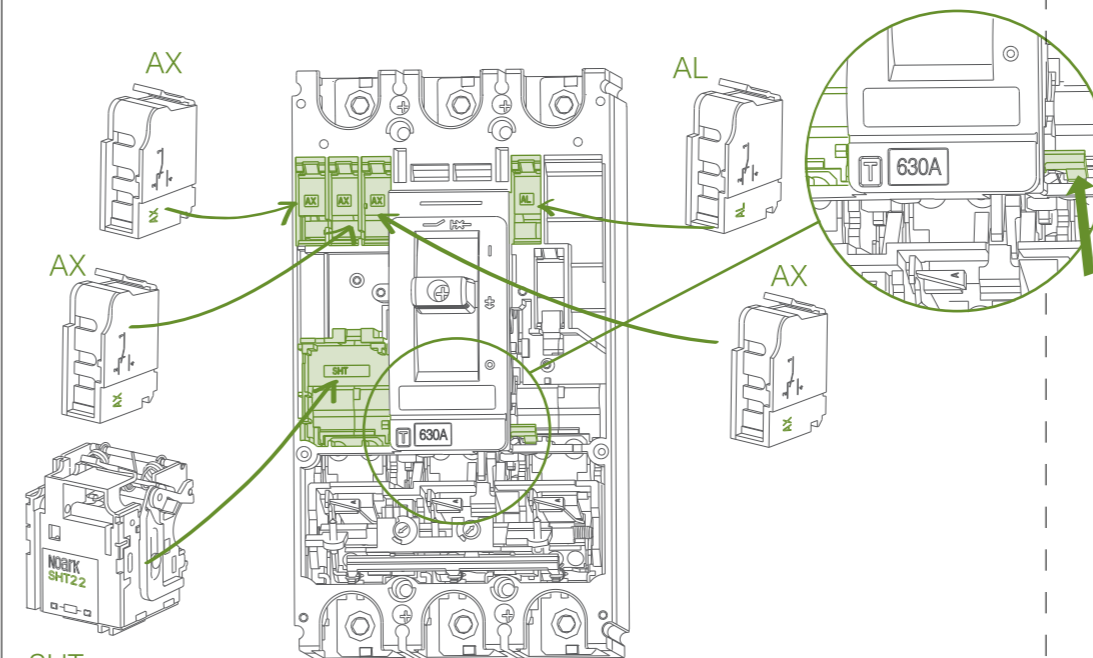
5 TRIPPED / 脱扣

咔嗒!
CLICK!

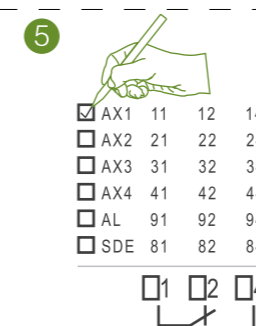
咔嗒!
CLICK!

5 TRIPPED / 脱扣

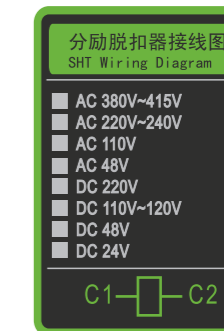
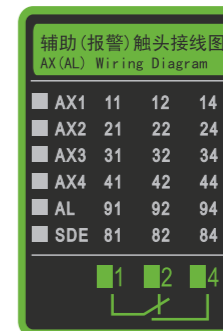
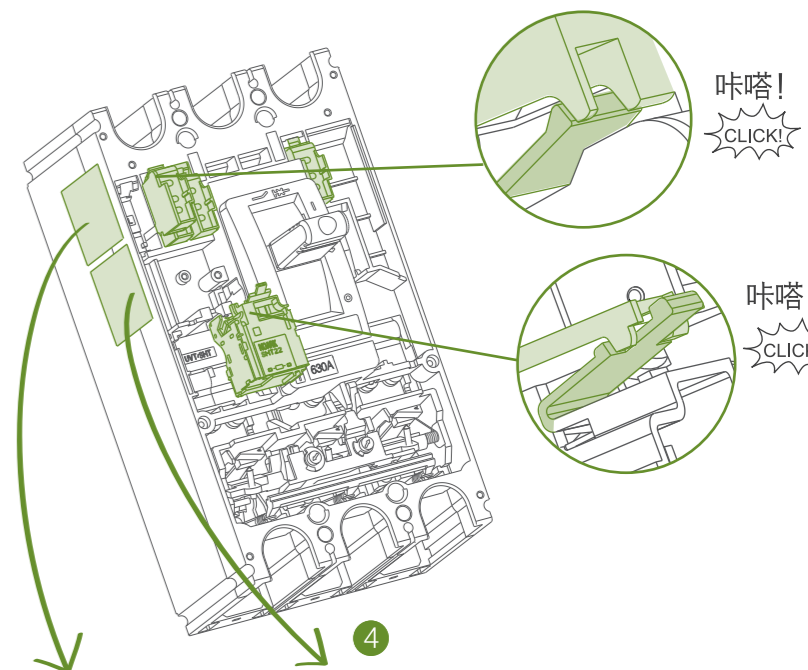
B 内部附件及安装 Internal Accessories & Installation



AX	辅助触头 Auxiliary Contact
AL	报警触头 Alarm Contact
SHT	分励脱扣器 Shunt Release



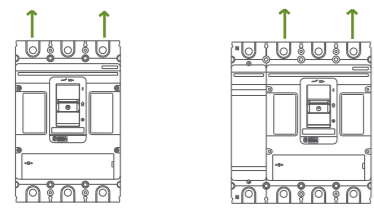
AX	合闸 ON	AX12 — AX11 AX14 — AX11
	分闸 OFF	AX12 — AX11 AX14 —
AL	分、合闸 OFF & ON	AL92 — AL91 AL94 —
	自由脱扣 TRIP	AL92 — AL91 AL94 —



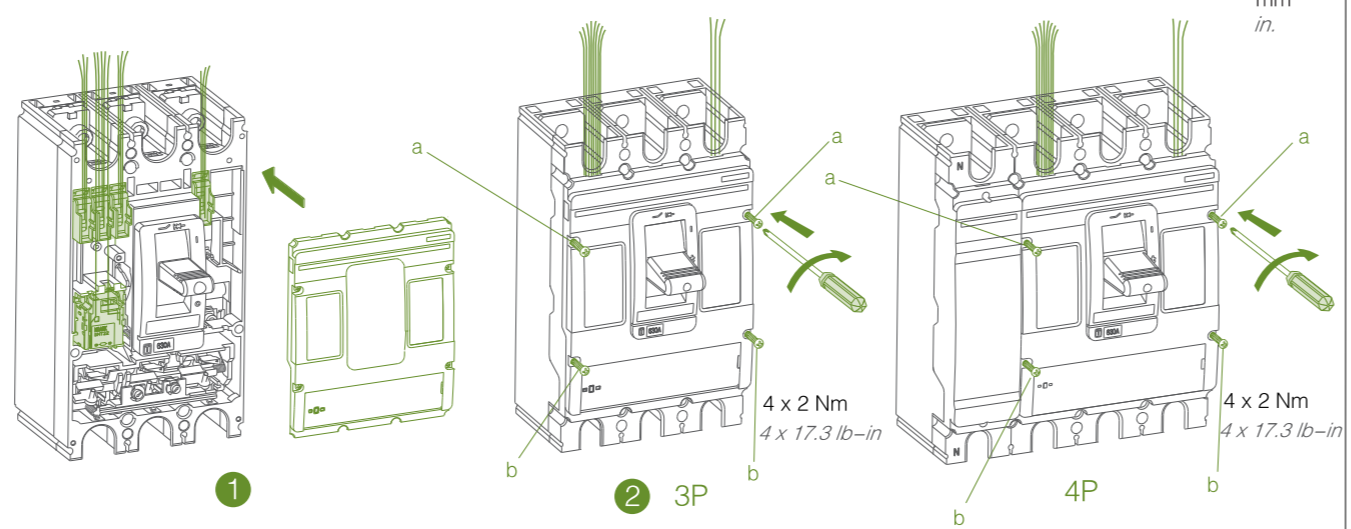
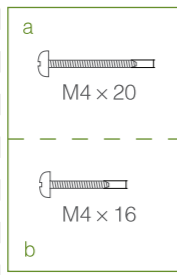
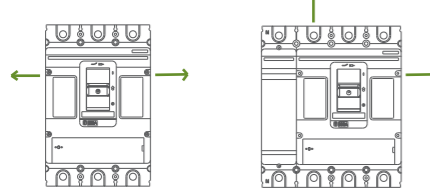
C 内部附件导线 Internal Accessories Wiring

方式1: Mode 1:

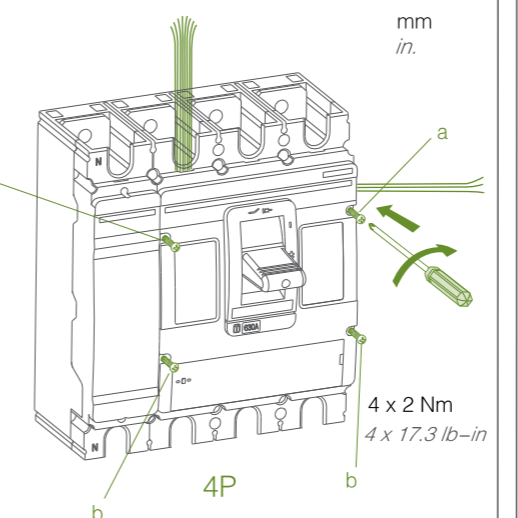
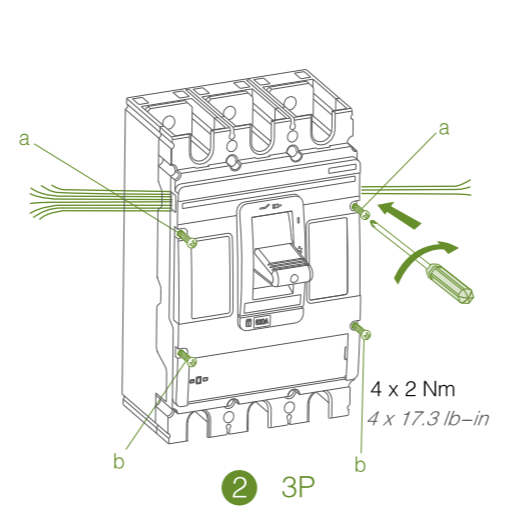
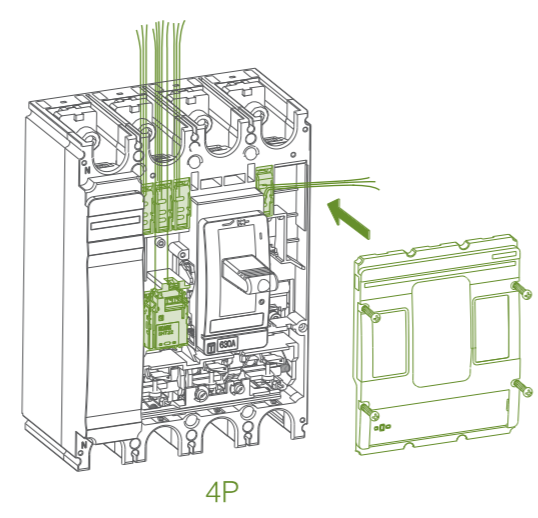
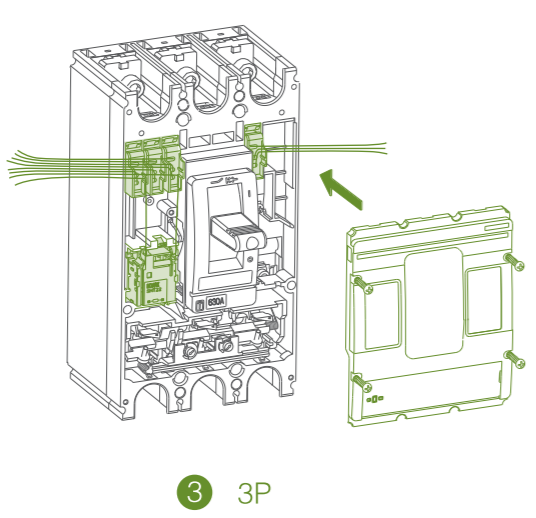
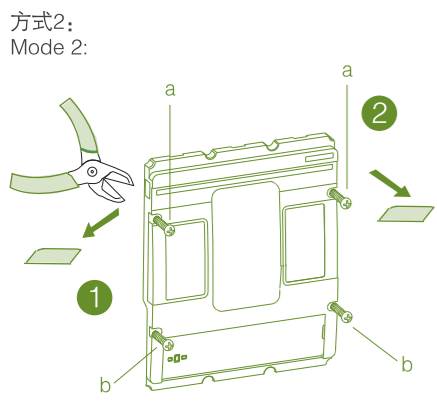
方式1: Mode 1:



方式2: Mode 2:

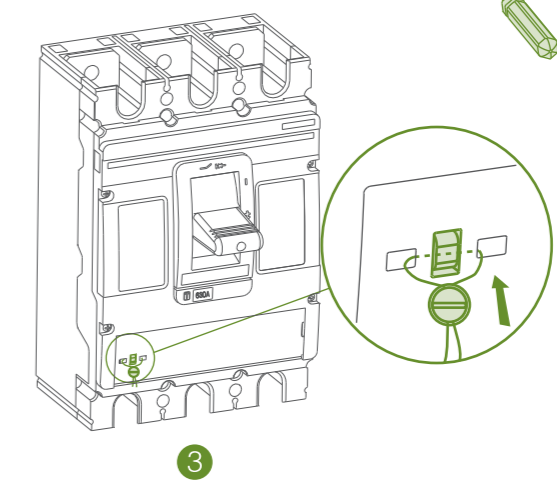
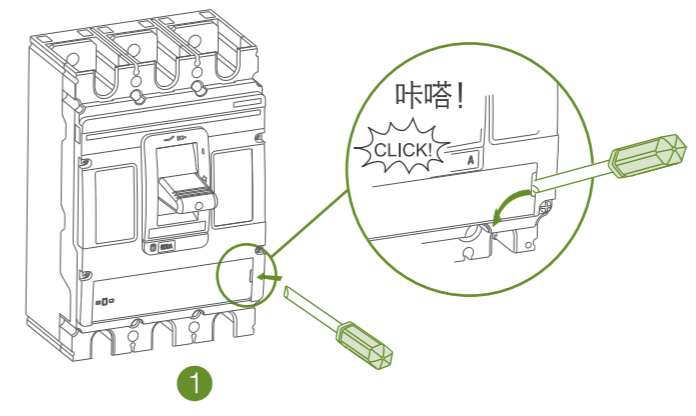


方式2: Mode 2:

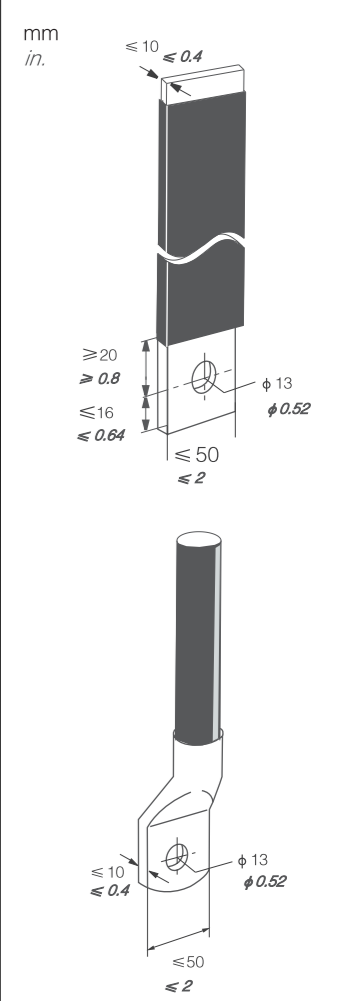


D 参数设置、铅封 Parameters Setting & Sealing

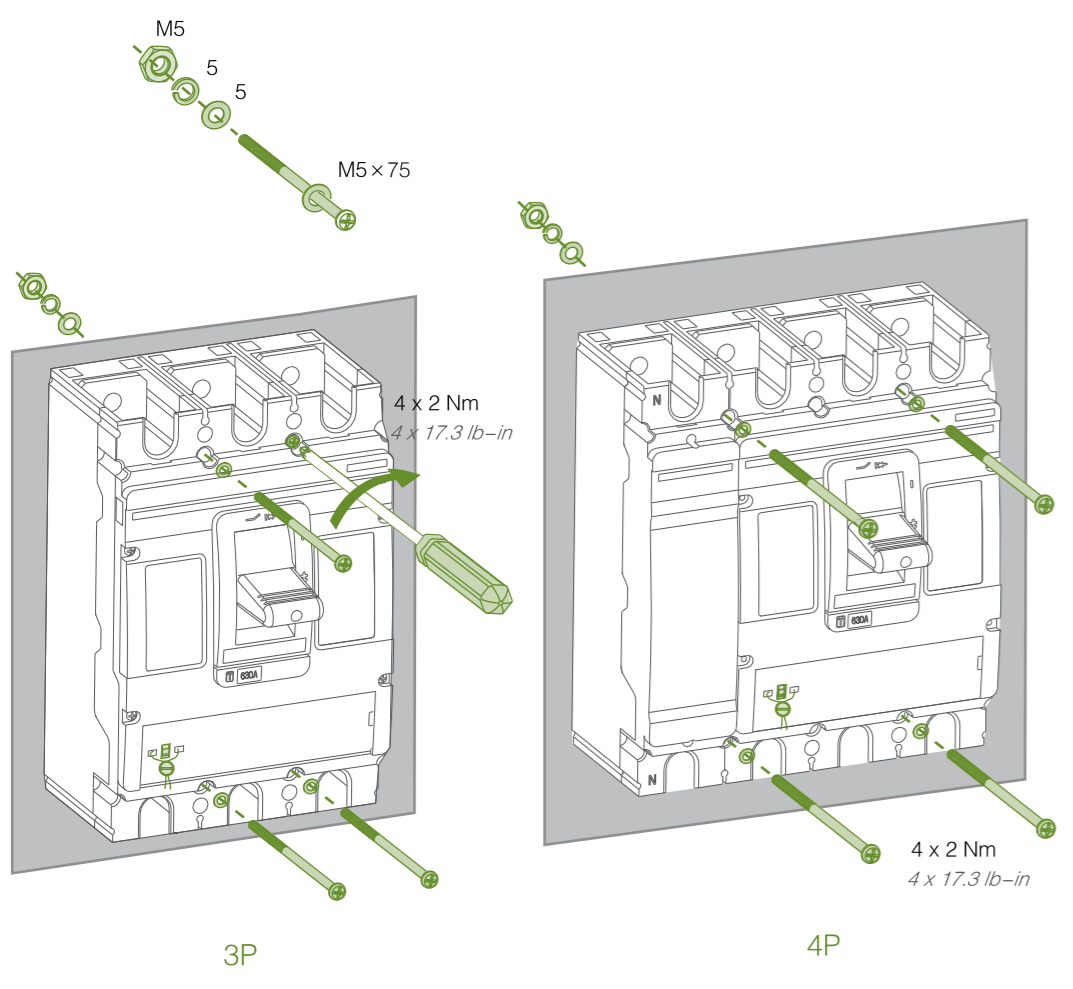
2 例如:eg: In=630A
I_R=0.8I_n=504A
I_i=10I_n=6300A



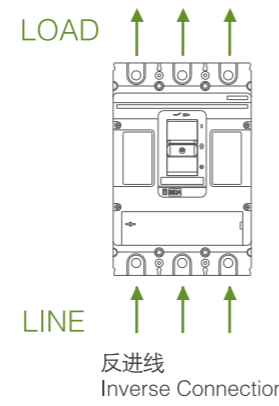
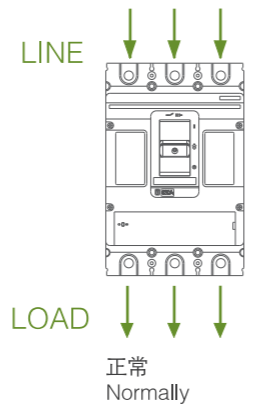
E 导线 Lug Bus-bar



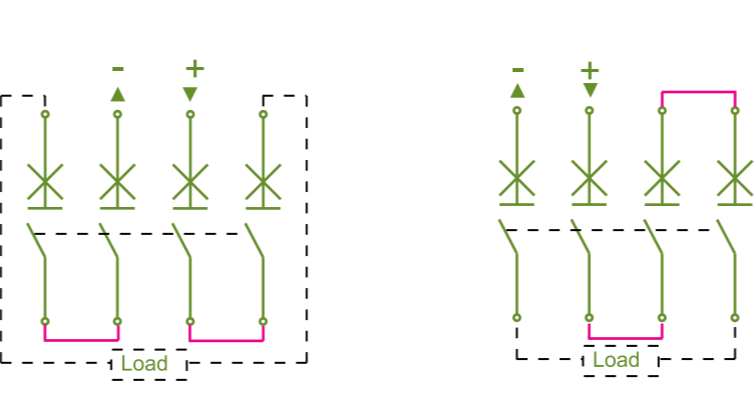
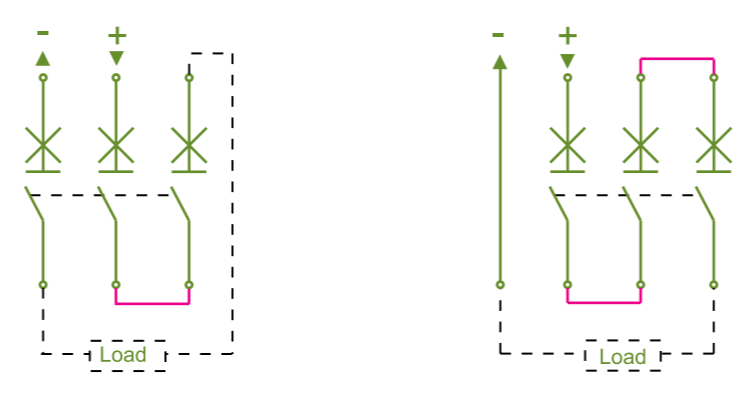
F 安装断路器 Installation



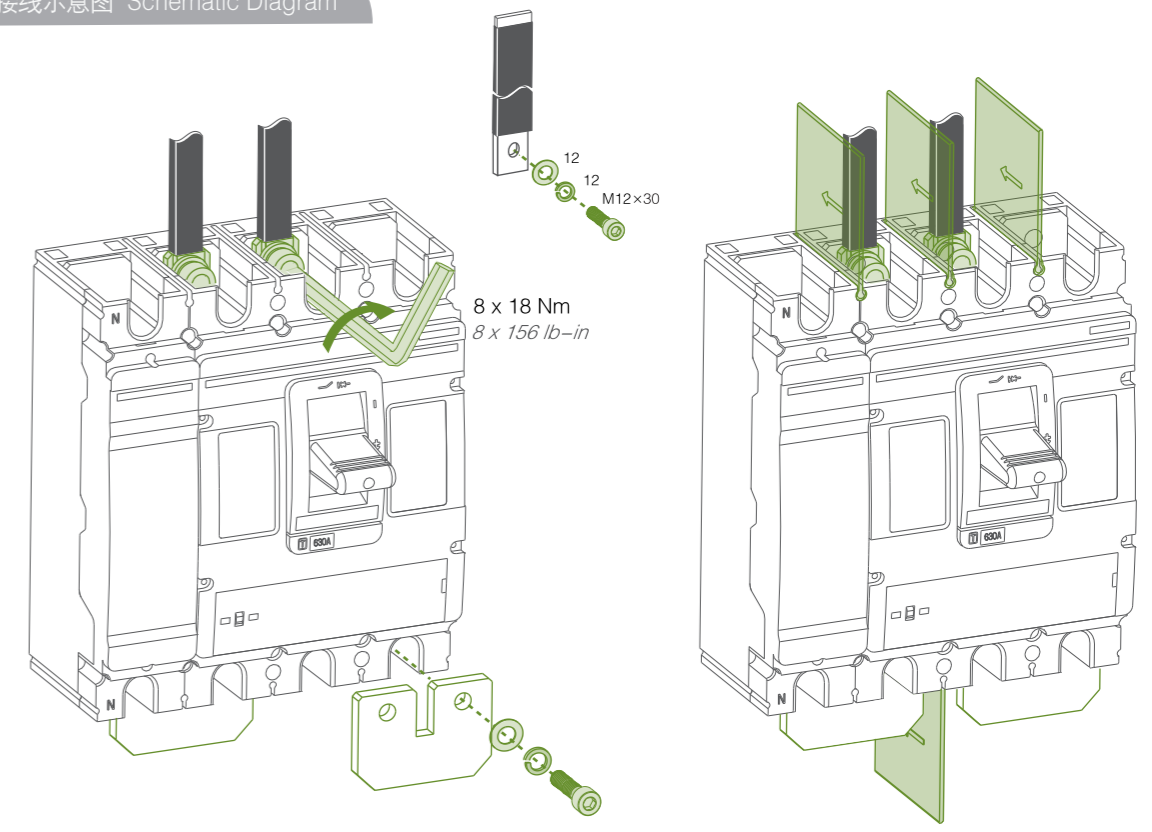
G 进线方式 Connecting Type



H 接线方式 Wiring Method



I 接线示意图 Schematic Diagram



上海诺雅克电气有限公司
NOARK Electric (Shanghai) Co., Ltd.
地址: 上海市松江区文合路855号
Add: 855 Wenhe Road, Songjiang District, Shanghai
电话/Tel: +86-021-3779 1111
客服热线/ Customer Service Hotline: 400-1092-111

采用环保纸印刷
Printed with environmentally-friendly paper
本说明书解释权归NOARK所有。
The expression right of the instructions are owned by NOARK.

Ex9MD5 (630A~800A)

Ex9MD5塑料外壳式断路器

Ex9MD5 Moulded Case Circuit Breaker

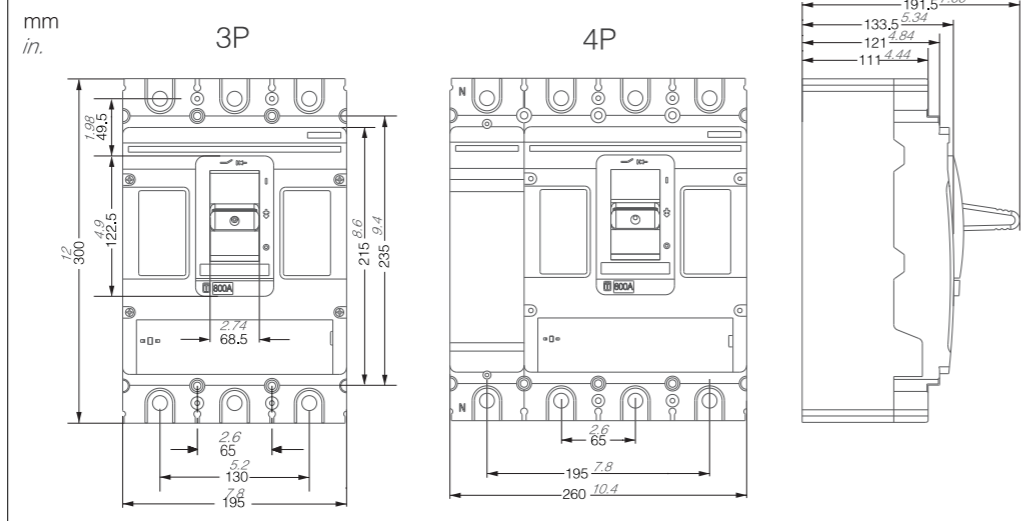


未按本说明书要求操作造成的不良后果，制造商将不承担责任。

The manufacturer assumes no responsibility for unfavourable consequence resulting from the non-application or incorrect application of the instructions provided herein.

NOARK 诺雅克

外形尺寸 Outline Dimension



铭牌 Nameplate

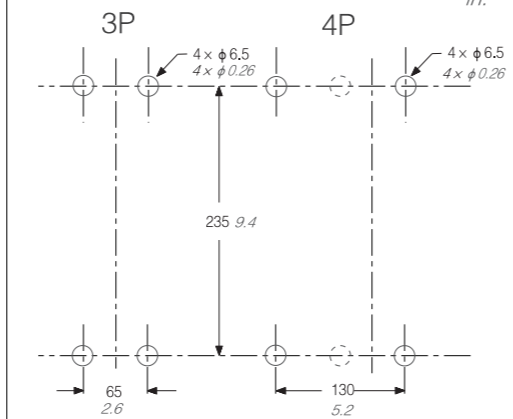


在此包装盒中除产品本体上所粘贴的铭牌外，还附加了手操、电操粘贴用的综合铭牌。客户若需使用手操或电操，其粘贴方法详见相关说明书。

800A

Except the existing nameplate on the product, we also prepare comprehensive nameplates for your manual use. Customers can use it in according to the instruction as needed.

安装尺寸 Installation Dimension

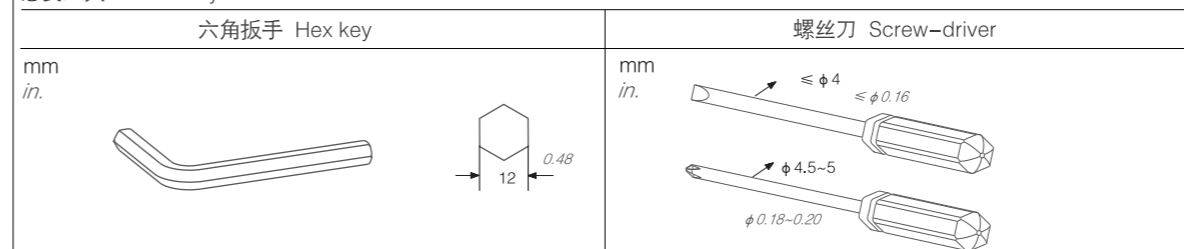


标配附件及必要工具 Standard Accessories & Necessary Tools

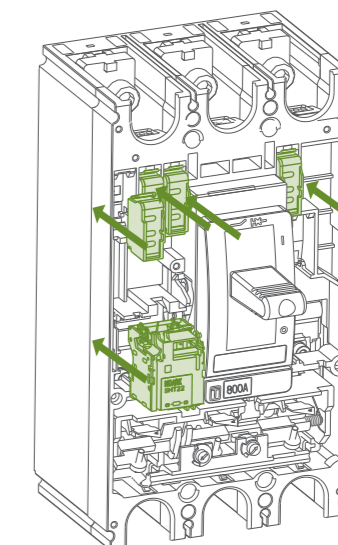
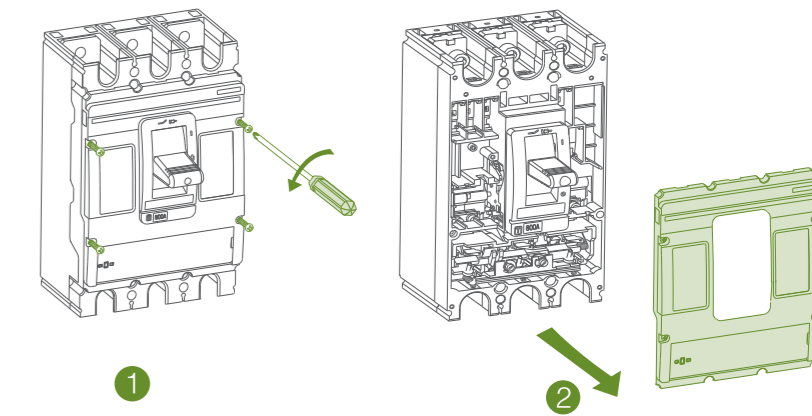
标配附件 Standard Accessories

名称 Appellation	规格 Model	数量 Number		示意图 Figure				
		3P	4P	安装螺钉 Installation Bolt	弹垫 S-Washer	平垫 F-Washer	螺母 Nut	接线螺钉 Terminal Bolt
安装螺钉 Installation Bolt	M5×95	4	4					
接线螺钉 Terminal Bolt	M12×30	6	8					
弹垫 Spring Washer	5/12	4/6/6	4/8/8					
平垫 Flat Washer	5/12	4/6/6	4/8/8					
螺母 Nut	M5	4/6	4/8					
隔弧板 Phase Barrier		4	6					
短接排 Short-Link Busbar		2	2					

必要工具 Necessary Tools



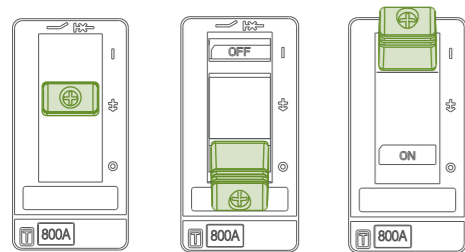
注@：附件@出厂时已装在产品本体上。 Notice @:The accessories @ have been installed on circuit breaker only.



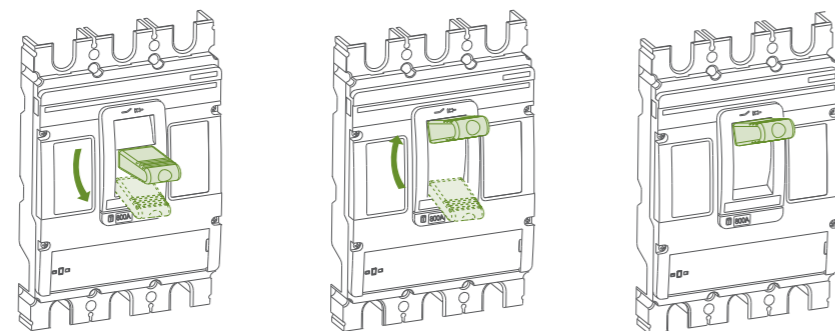
3

A 操作测试 Operating Test

测试前准备：
Before testing:

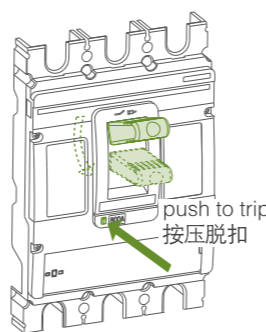


TRIP 脱扣
OFF 分闸
ON 合闸



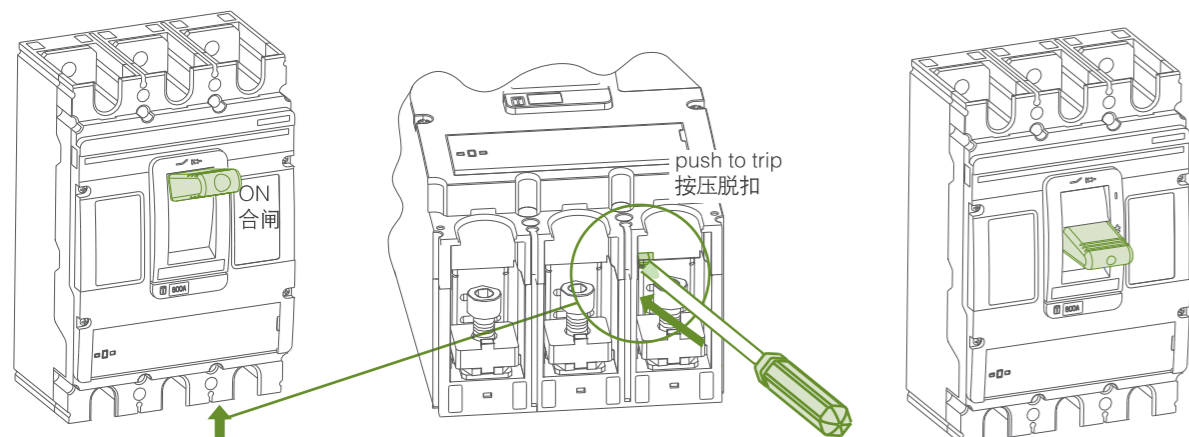
1 TRIP 脱扣 → OFF 分闸
2 OFF 分闸 → ON 合闸
3 ON 合闸

测试1：
Test 1:



4

测试2：
Test 2:



4

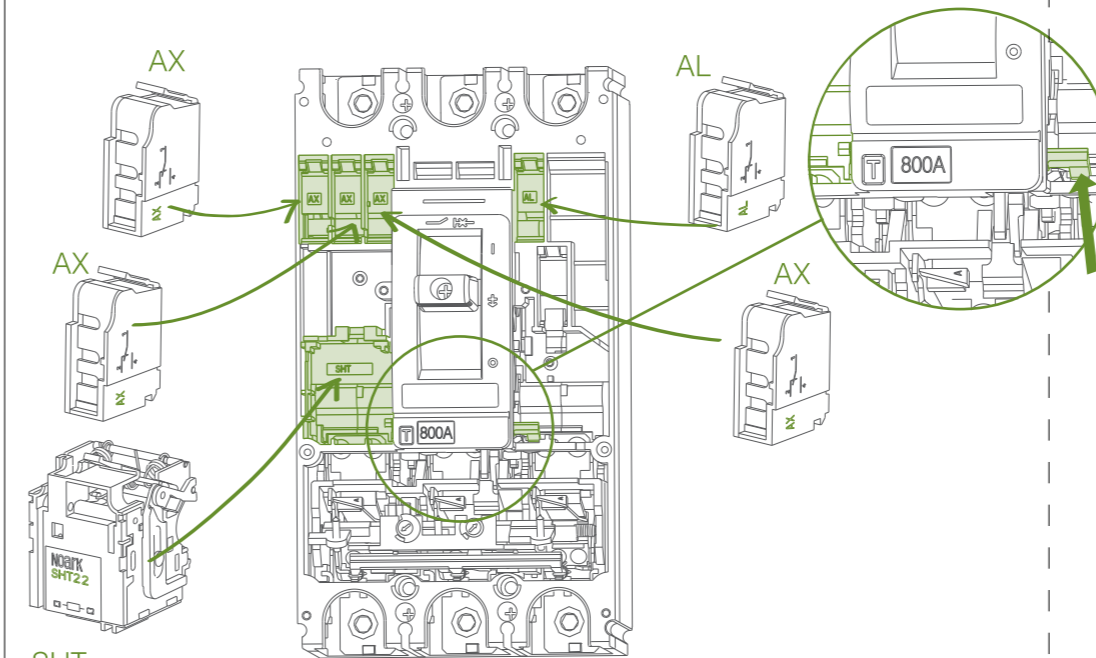
5 TRIPPED / 脱扣

咔嗒!
CLICK!

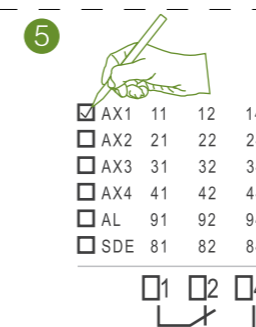
咔嗒!
CLICK!

5 TRIPPED / 脱扣

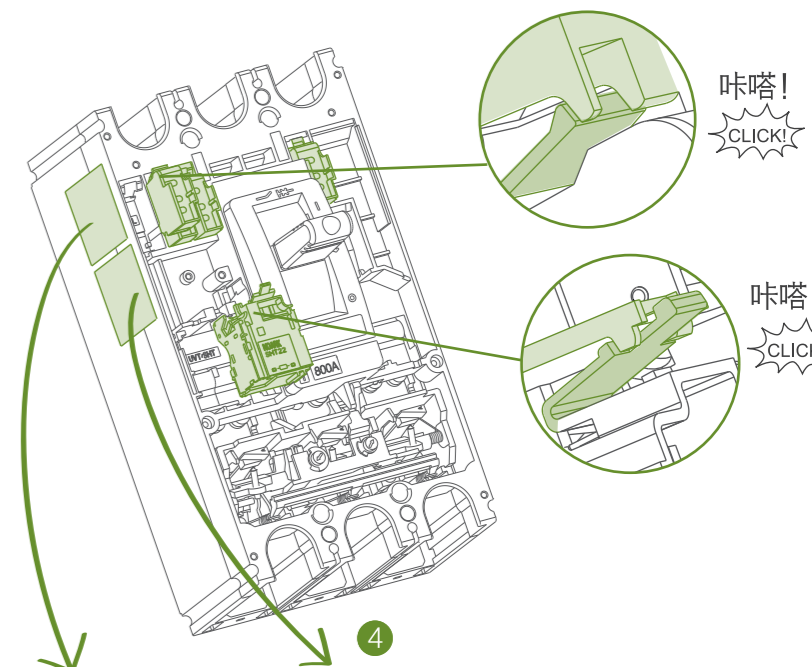
B 内部附件及安装 Internal Accessories & Installation



AX	辅助触头 Auxiliary Contact
AL	报警触头 Alarm Contact
SHT	分励脱扣器 Shunt Release

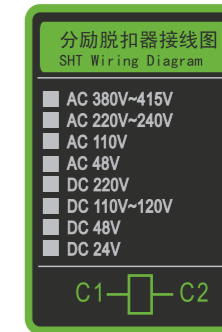
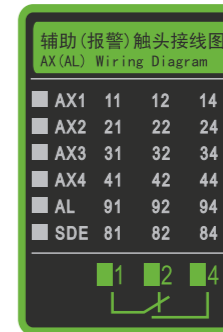


AX	合闸 ON	AX12 — AX11	AX14 — AX11
	分闸 OFF	AX12 — AX11	AX14 — AX11
AL	分、合闸 OFF & ON	AL92 — AL91	AL94 — AL91
	自由脱扣 TRIP	AL92 — AL91	AL94 — AL91



咔嗒!
CLICK!

咔嗒!
CLICK!



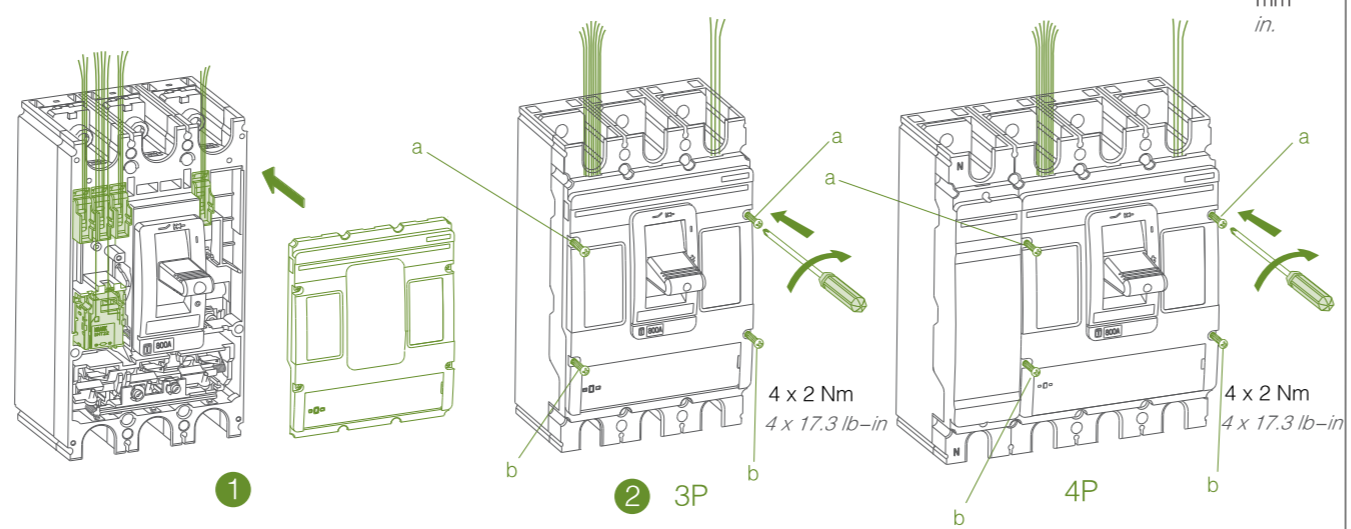
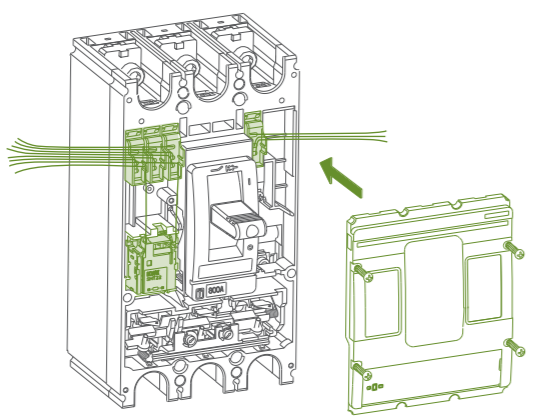
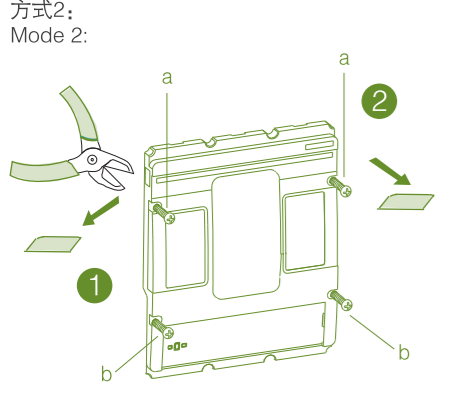
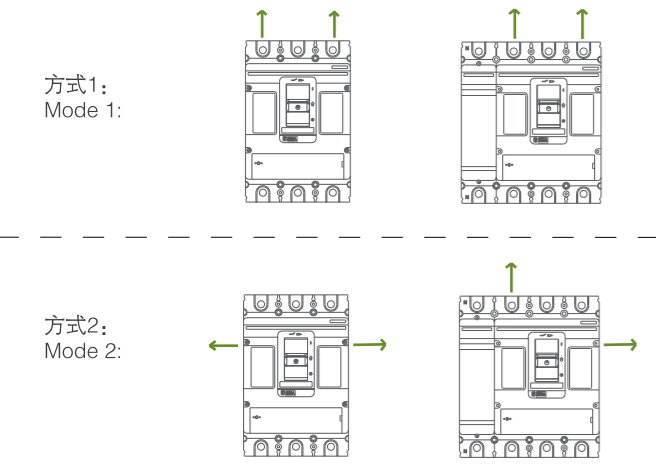
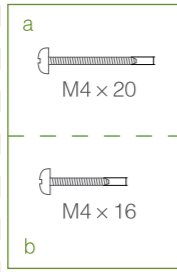
C 内部附件导线 Internal Accessories Wiring

方式1: Mode 1:

方式2: Mode 2:

方式2: Mode 2:

方式2: Mode 2:



3P

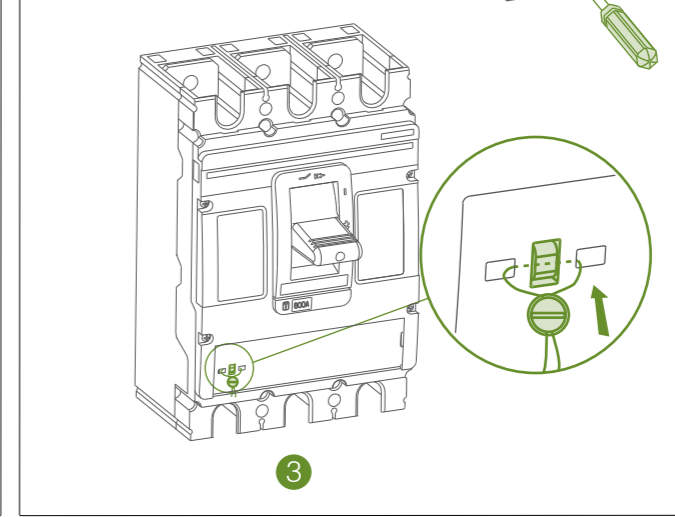
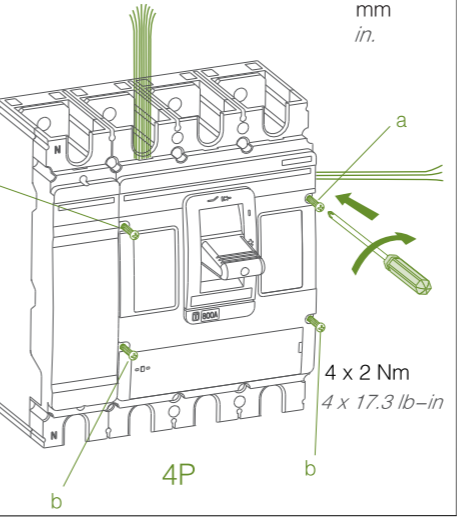
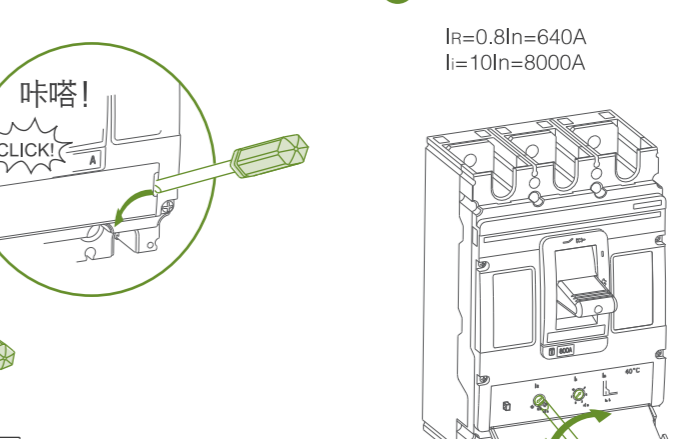
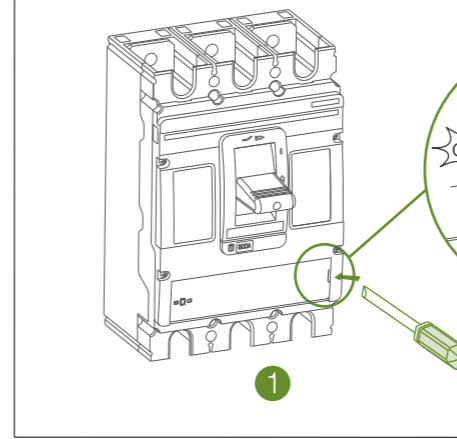
4P

3P

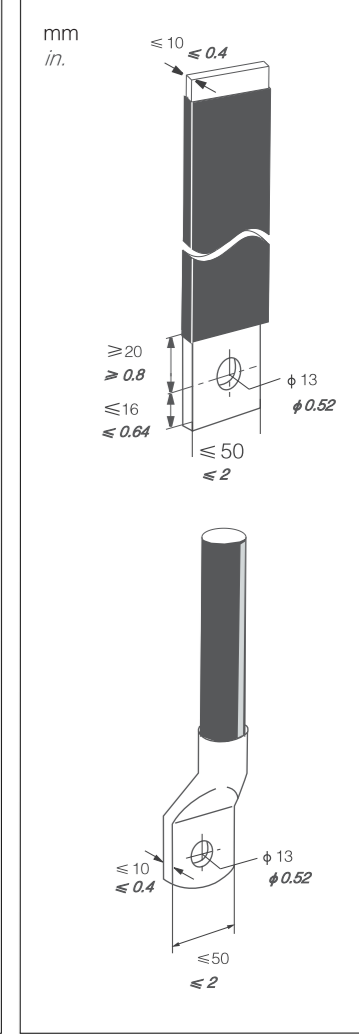
4P

D 参数设置、铅封 Parameters Setting & Sealing

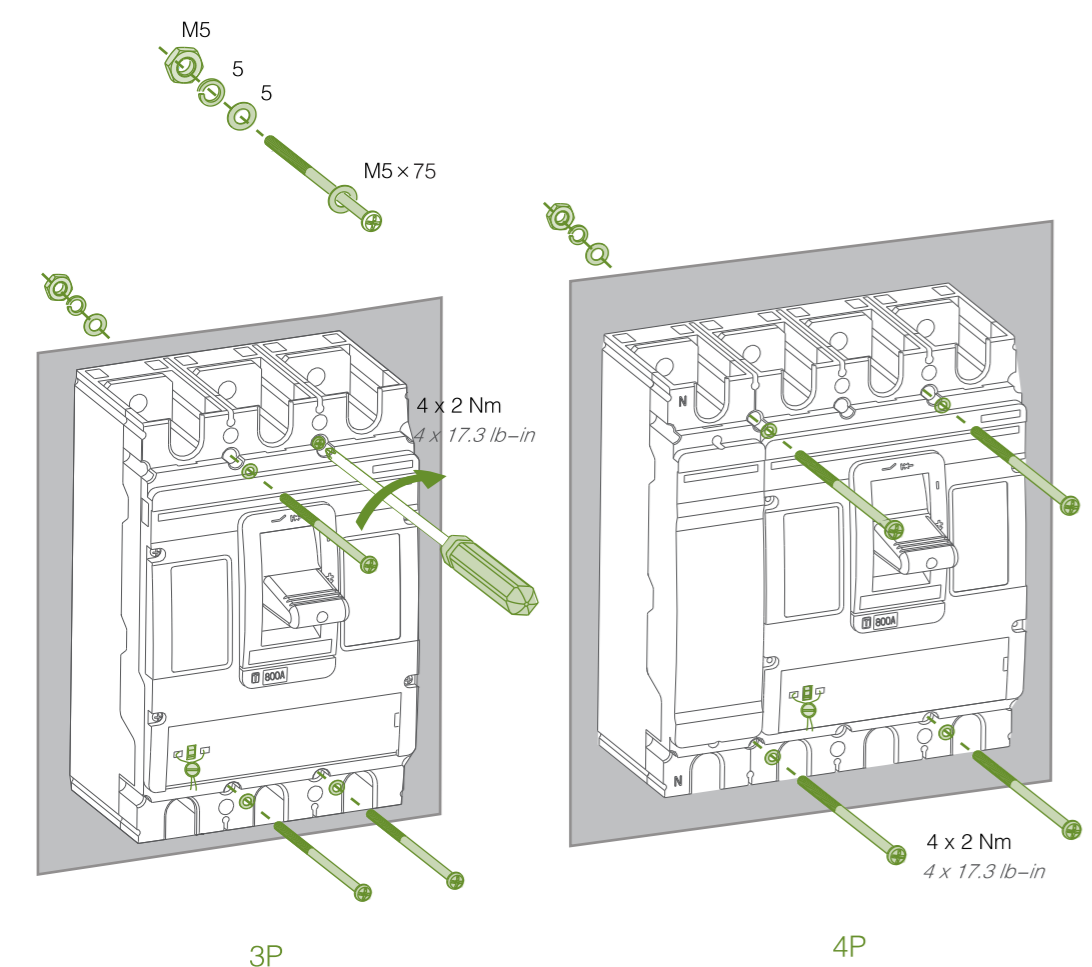
2 例如/eg: In=800A
I_R=0.8I_n=640A
I_i=10I_n=8000A



E 导线 Lug Bus-bar



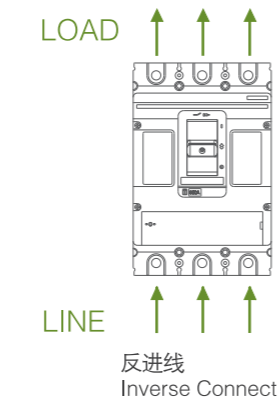
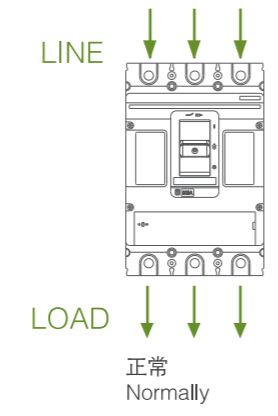
F 安装断路器 Installation



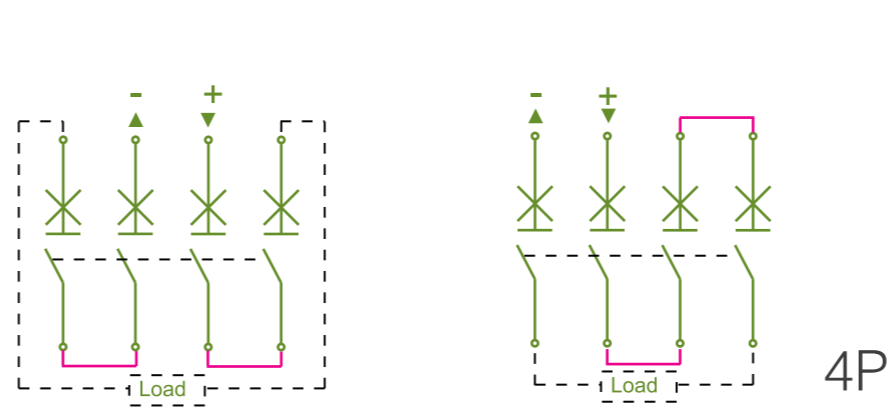
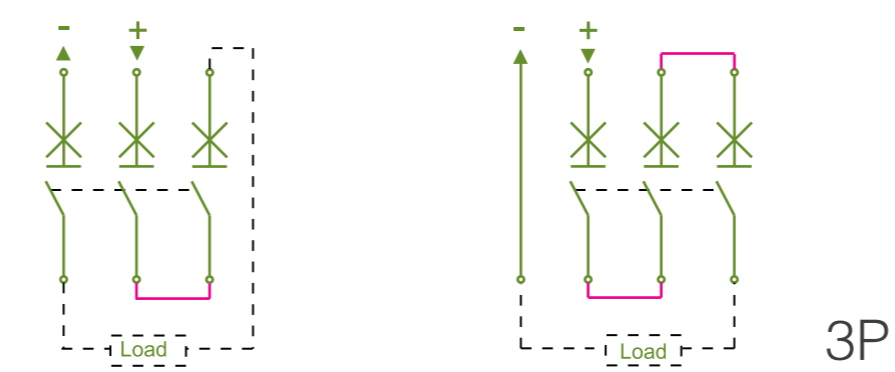
3P

4P

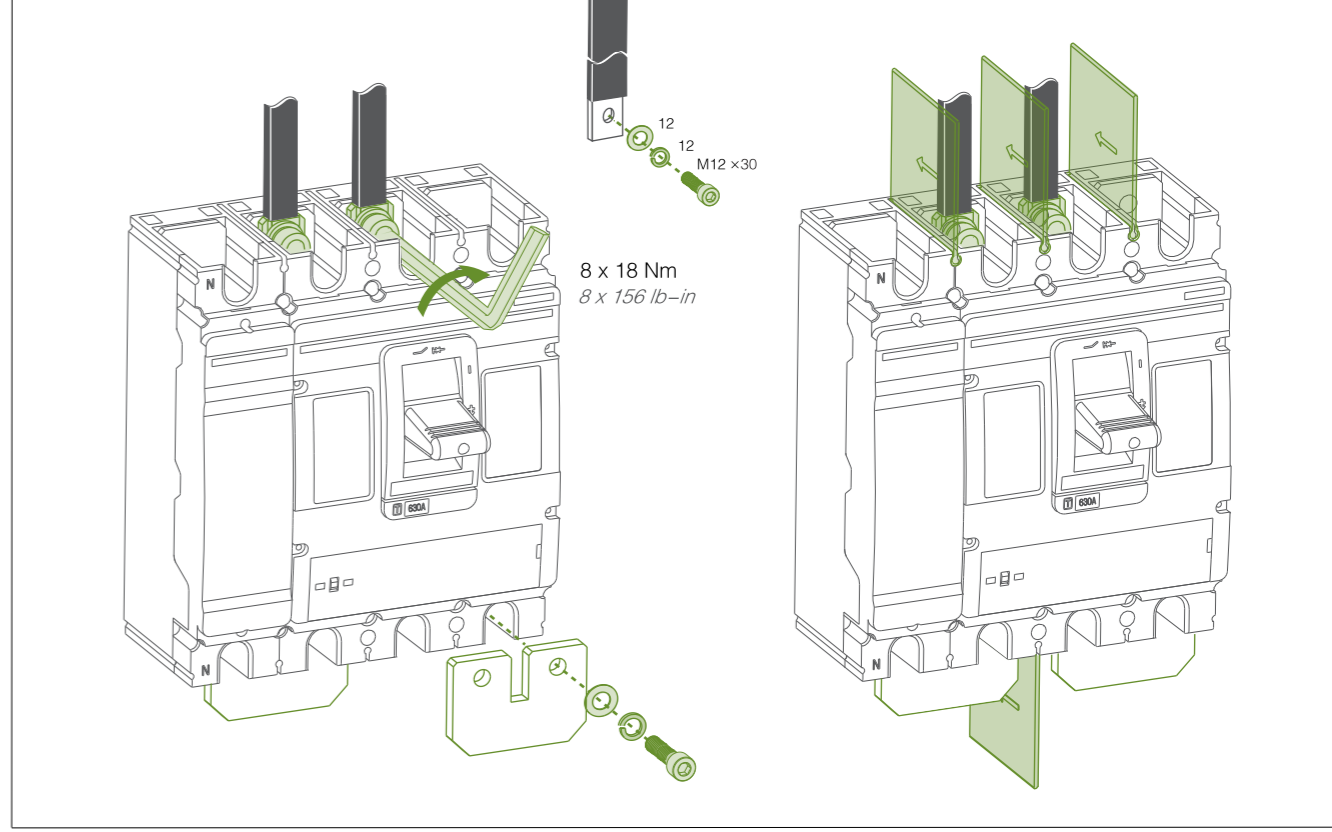
G 进线方式 Connecting Type



H 接线方式 Wiring Method



I 接线示意图 Schematic Diagram



上海诺雅克电气有限公司
NOARK Electric (Shanghai) Co., Ltd.
地址: 上海市松江区文台路855号
Add: 855 Wenhe Road, Songjiang District, Shanghai
电话/Tel: +86-021-3779 1111
客服热线/ Customer Service Hotline: 400-1092-111

采用环保纸印刷
Printed with environmentally-friendly paper
本说明书解释权归NOARK所有。
The expression right of the instructions are owned by NOARK.